

COLUMN LAYOUT PLAN

Government of Nepal
 Ministry of Education
 Department of Education
 Sanothimi, Bhaktapur

NATIONAL SOCIETY FOR EARTHQUAKE TECHNOLOGY-NEPAL. (NSET)
 Sainbu, Karyabinayak Municipality, Bhainsepati Residential Area, Lalitpur
 Tel:(977-1)5591000, Fax: (997-1)5592692, P.O BOX: 13775, Kathmandu, Nepal
 Email: nset@nset.org.np

UNICEF - NEPAL
 UN House, Pulchowk, Lalitpur

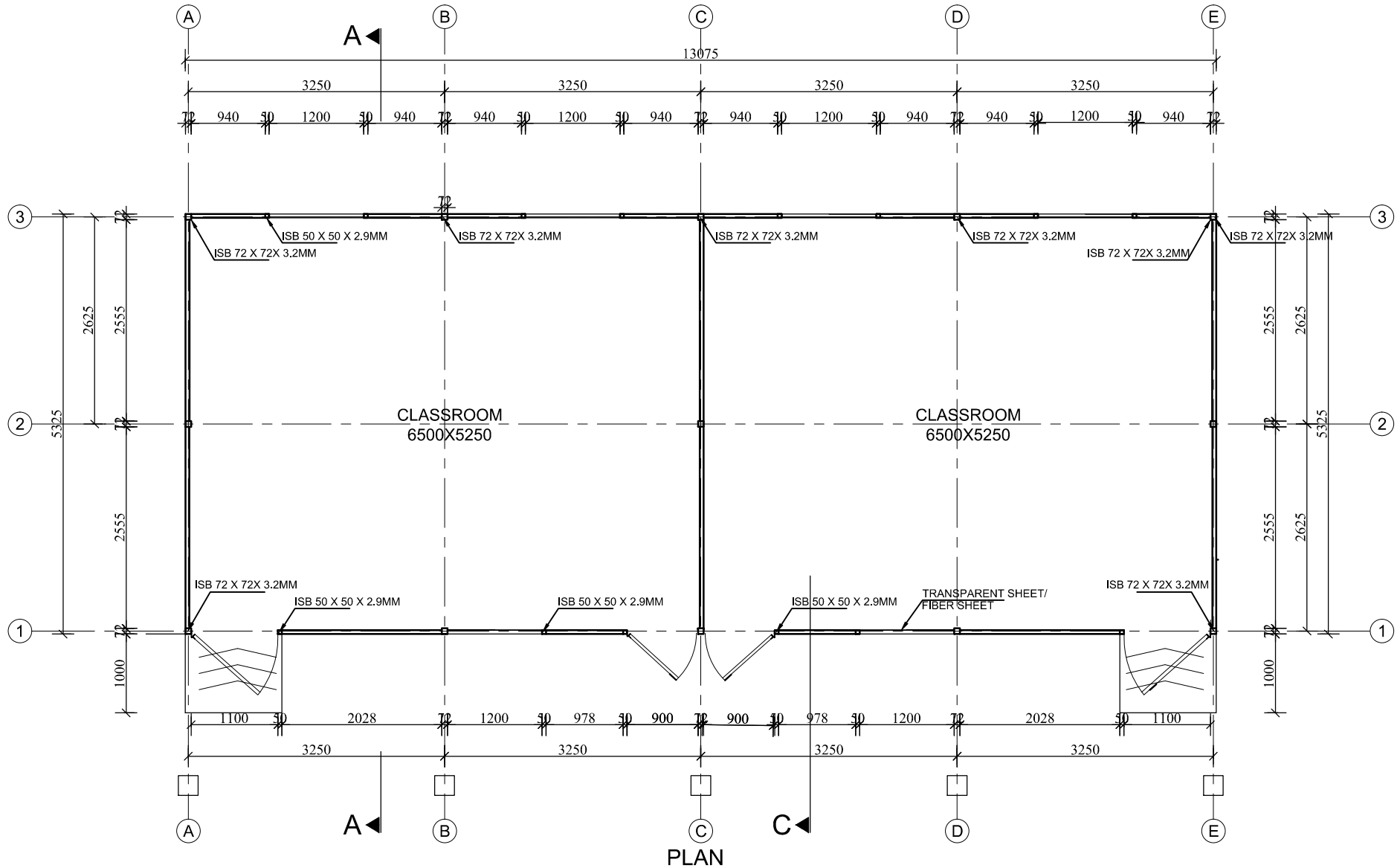
JOB TITLE :
TRANSITIONAL LEARNING CENTER

Title :
COLUMN LAYOUT PLAN

Date :
 Scale :
 Designed by : **Er. GOVIND RAJ BHATTA**
 : **M.Sc. STRUCTURAL ENGINEER**
 : **NEC NO. 6361 CIVIL 'A'**
 Drawn by : **Ar. SABINDRA SHRESTHA**
 Checked by :

Drawing Code:-

Sheet No:- 1



Government of Nepal
 Ministry of Education
 Department of Education
 Sanothimi, Bhaktapur

NATIONAL SOCIETY FOR EARTHQUAKE TECHNOLOGY-NEPAL. (NSET)
 Sainbu, Karyabinayak Municipality, Bhainsepati Residential Area, Lalitpur
 Tel:(977-1)5591000, Fax: (997-1)5592692, P.O BOX: 13775, Kathmandu, Nepal
 Email: nset@nset.org.np

UNICEF - NEPAL
 UN House, Pulchowk, Lalitpur

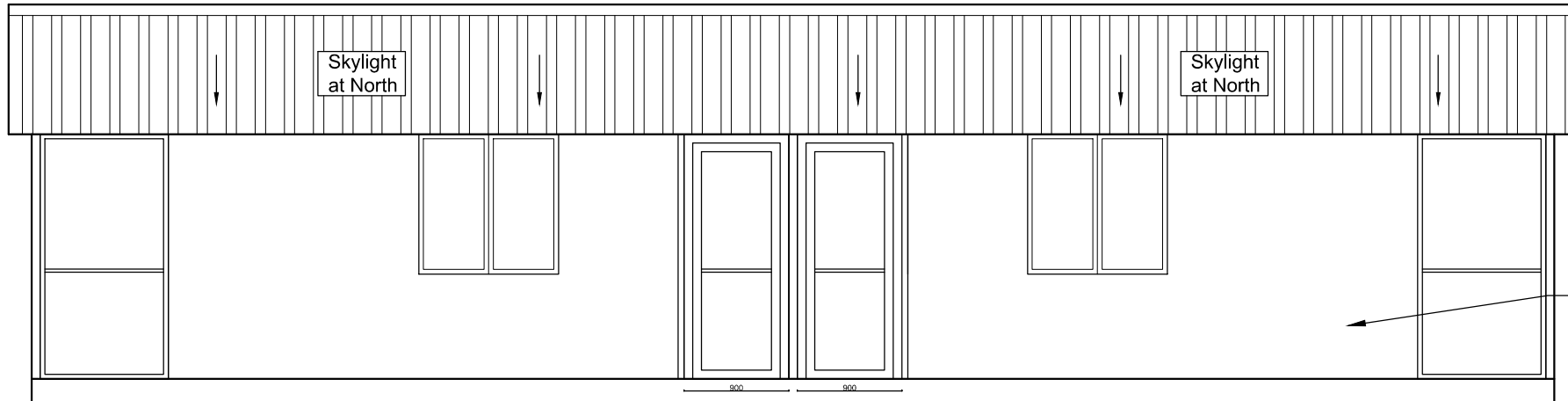
JOB TITLE :
TRANSITIONAL LEARNING CENTER

Title :
GROUND FLOOR PLAN

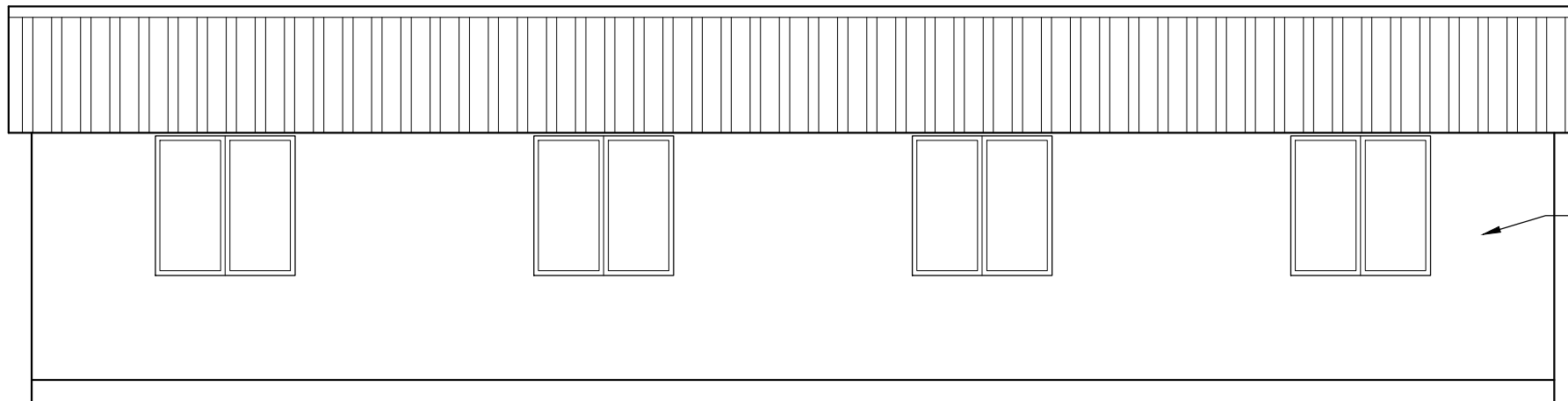
Date	:	
Scale	:	
Designed by	:	Er. GOVIND RAJ BHATTA M.Sc. STRUCTURAL ENGINEER NEC NO. 6361 CIVIL 'A'
Drawn by	:	Ar. SABINDRA SHRESTHA
Checked by	:	

Drawing Code:-

Sheet No:- 2



FRONT ELEVATION



BACK ELEVATION

Government of Nepal
 Ministry of Education
 Department of Education
 Sanothimi, Bhaktapur

NATIONAL SOCIETY FOR EARTHQUAKE TECHNOLOGY-NEPAL. (NSET)
 Sainbu, Karyabinayak Municipality, Bhainsepati Residential Area, Lalitpur
 Tel:(977-1)5591000, Fax: (997-1)5592692, P.O BOX: 13775, Kathmandu, Nepal
 Email: nset@nset.org.np

UNICEF - NEPAL
 UN House, Pulchowk, Lalitpur

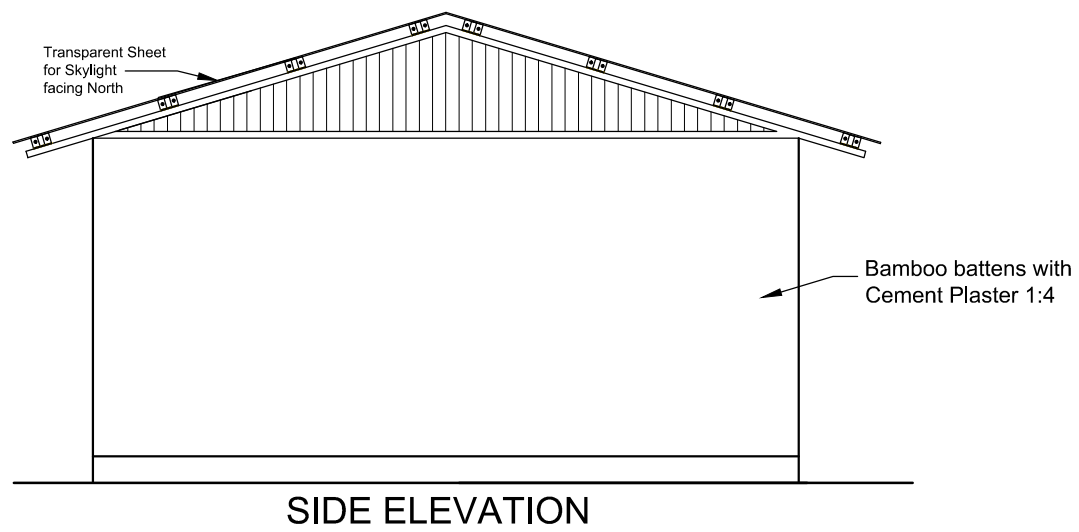
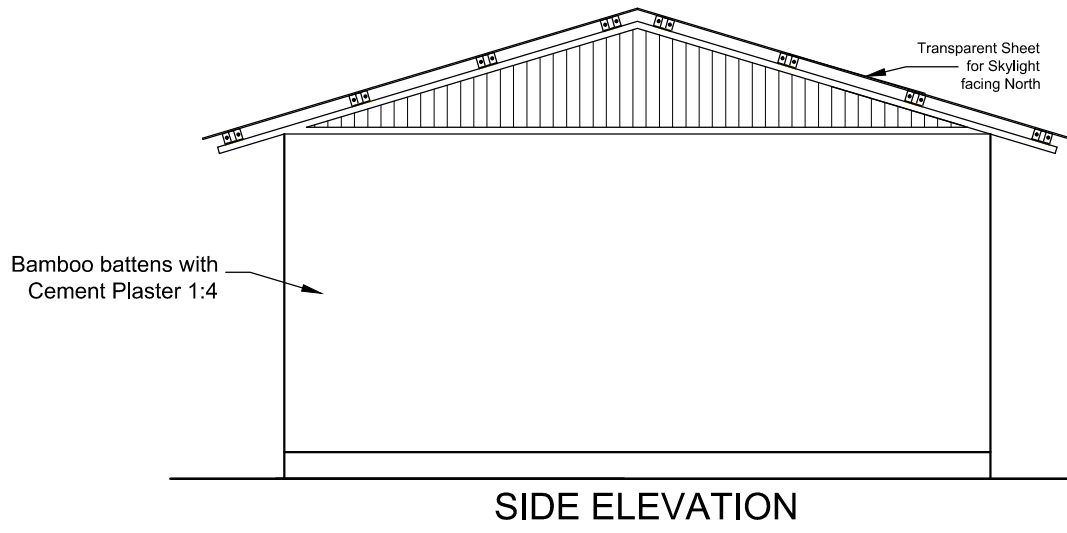
JOB TITLE :
TRANSITIONAL LEARNING CENTER

Title :
ELEVATIONS

Date :
 Scale :
 Designed by : Er. GOVIND RAJ BHATTA
 : M.SC. STRUCTURAL ENGINEER
 : NEC NO. 6361 CIVIL 'A'
 Drawn by : Ar. SABINDRA SHRESTHA
 Checked by :

Drawing Code:-

Sheet No:- 3



Government of Nepal
 Ministry of Education
 Department of Education
 Sanothimi, Bhaktapur

NATIONAL SOCIETY FOR EARTHQUAKE TECHNOLOGY-NEPAL. (NSET)
 Sainbu, Karyabinayak Municipality, Bhainsepati Residential Area, Lalitpur
 Tel:(977-1)5591000, Fax: (997-1)5592692, P.O BOX: 13775, Kathmandu, Nepal
 Email: nset@nset.org.np

UNICEF - NEPAL
 UN House, Pulchowk, Lalitpur

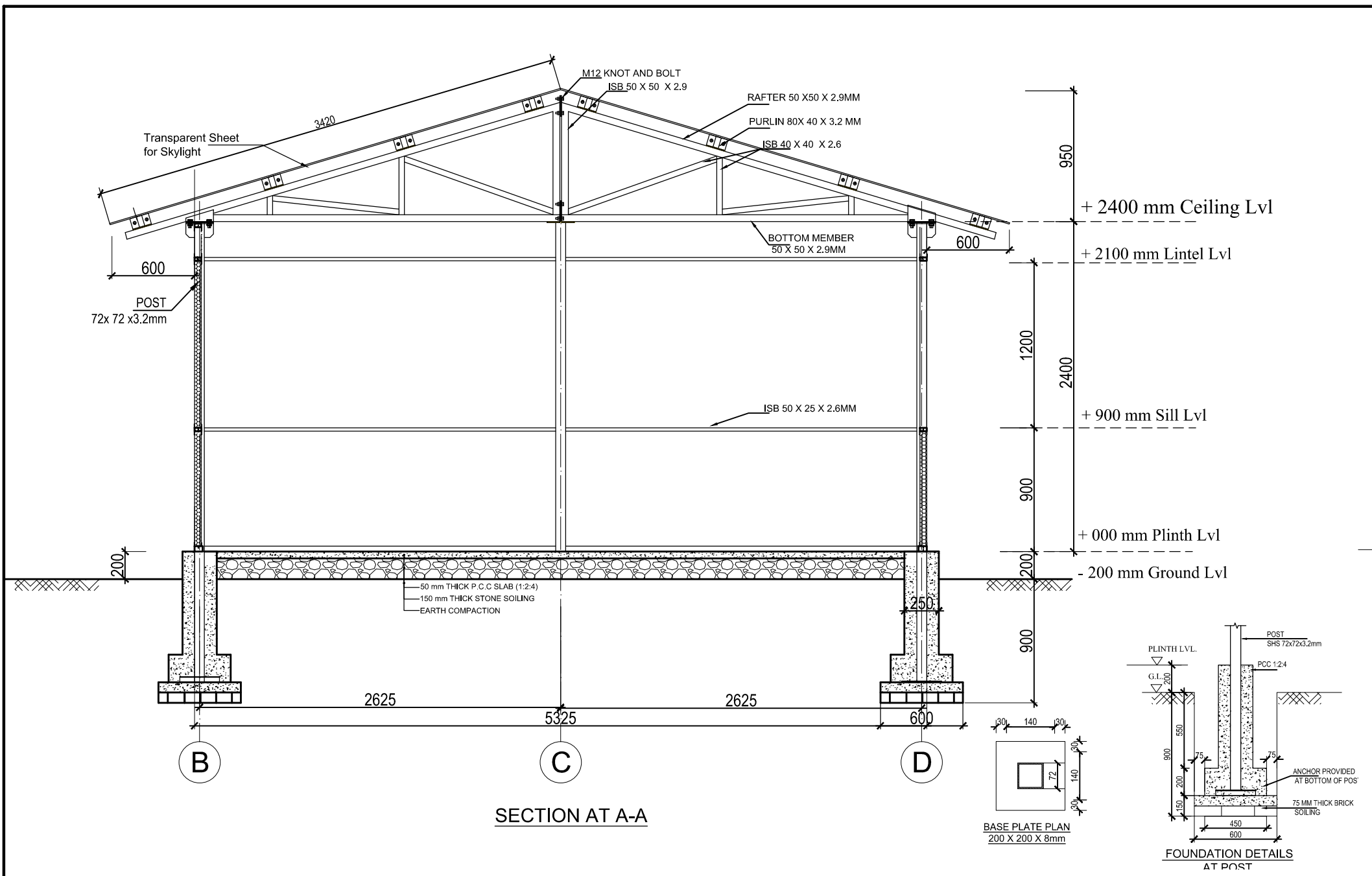
JOB TITLE :
TRANSITIONAL LEARNING CENTER

Title :
ELEVATIONS

Date :
 Scale :
 Designed by : Er. GOVIND RAJ BHATTA
 M.Sc. STRUCTURAL ENGINEER
 : NEC NO. 6361 CIVIL 'A'
 Drawn by : Ar. SABINDRA SHRESTHA
 Checked by :

Drawing Code:-

Sheet No:- 4



Government of Nepal
 Ministry of Education
 Department of Education
 Sanothimi, Bhaktapur

NATIONAL SOCIETY FOR EARTHQUAKE TECHNOLOGY-NEPAL. (NSET)
 Sainbu, Karyabinayak Municipality, Bhainsepati Residential Area, Lalitpur
 Tel:(977-1)5591000, Fax: (997-1)5592692, P.O BOX: 13775, Kathmandu, Nepal
 Email: nset@nset.org.np

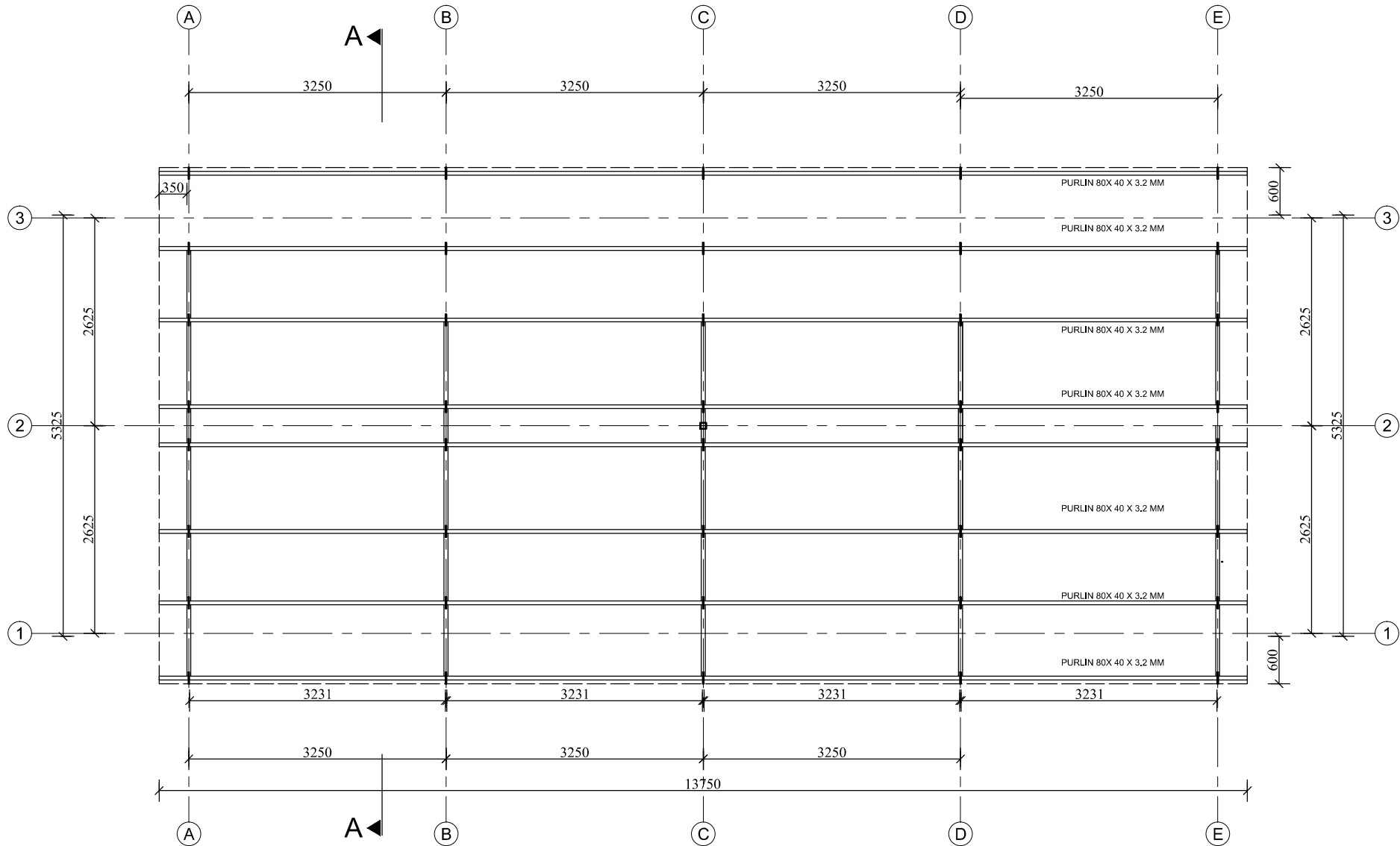
UNICEF - NEPAL
 UN House, Pulchowk, Lalitpur

JOB TITLE :
TRANSITIONAL LEARNING CENTER

Title :
SECTION

Date :
 Scale :
 Designed by : **Dr. GOVIND RAJ BHATTA**
 M.S.C. STRUCTURAL ENGINEER
 : **NEC NO. 6361 CIVIL 'A'**
 Drawn by : **Ar. SABINDRA SHRESTHA**
 Checked by :

Drawing Code:-
 Sheet No:- **5**



PURLIN DETAIL PLAN

Government of Nepal
 Ministry of Education
 Department of Education
 Sanothimi, Bhaktapur

NATIONAL SOCIETY FOR EARTHQUAKE TECHNOLOGY-NEPAL. (NSET)
 Sainbu, Karyabinayak Municipality, Bhainsepati Residential Area, Lalitpur
 Tel:(977-1)5591000, Fax: (997-1)5592692, P.O BOX: 13775, Kathmandu, Nepal
 Email: nset@nset.org.np

UNICEF - NEPAL
 UN House, Pulchowk, Lalitpur

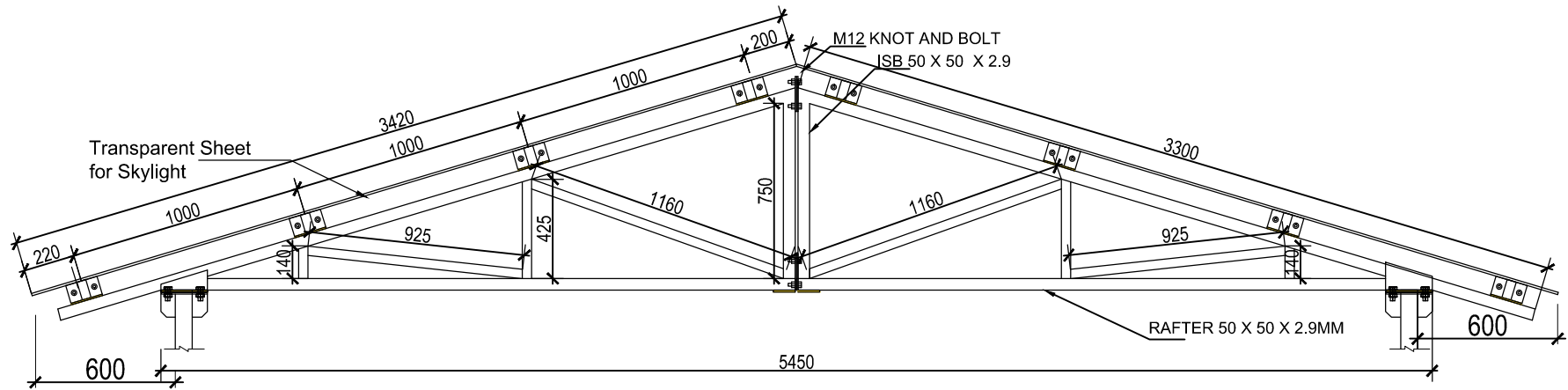
JOB TITLE :
TRANSITIONAL LEARNING CENTER

Title :
PURLIN DETAIL PLAN

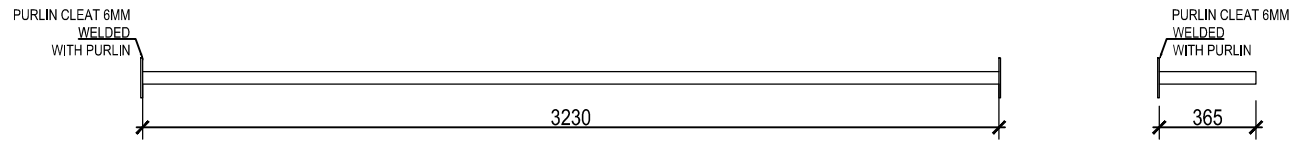
Date :
 Scale :
 Designed by: E. GOVIND RAJ BHATTA
 M SC. STRUCTURAL ENGINEER
 : NEC NO. 6361 CIVIL 'A'
 Drawn by : Ar. SABINDRA SHRESTHA
 Checked by :

Drawing Code:-

Sheet No:- 6



TRUSS DETAIL



PURLIN DETAIL PLAN

Government of Nepal
Ministry of Education
Department of Education
Sanothimi, Bhaktapur

NATIONAL SOCIETY FOR EARTHQUAKE TECHNOLOGY-NEPAL. (NSET)
Sainbu, Karyabinayak Municipality, Bhainsepati Residential Area, Lalitpur
Tel:(977-1)5591000, Fax: (997-1)5592692, P.O BOX: 13775, Kathmandu, Nepal
Email: nset@nset.org.np

UNICEF - NEPAL
UN House, Pulchowk, Lalitpur

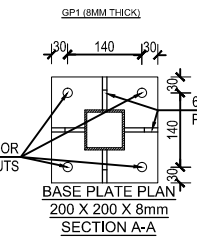
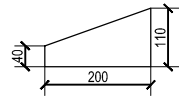
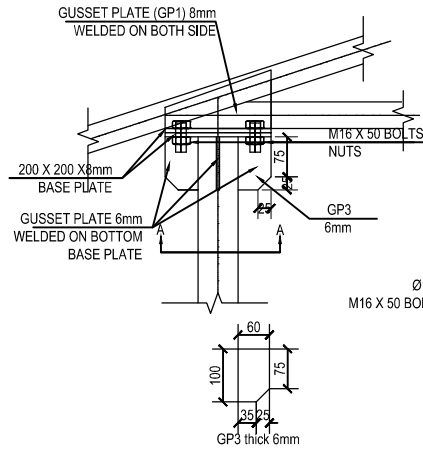
JOB TITLE :
TRANSITIONAL LEARNING CENTER

Title :
TRUSS DETAILS

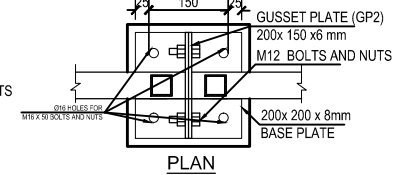
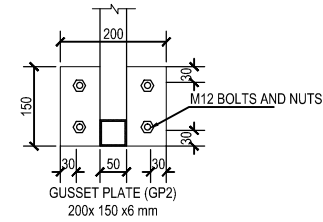
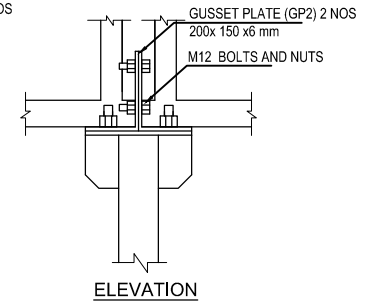
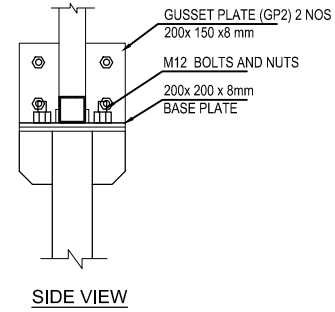
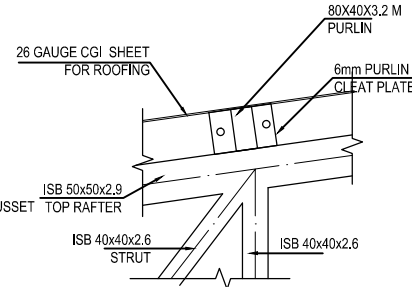
Date :
Scale :
Designed by : **En. GOVIND RAJ BHATTA**
M.SC. STRUCTURAL ENGINEER
NEC NO. 6361 CIVIL 'A'
Drawn by : **Ar. SABINDRA SHRESTHA**
Checked by :

Drawing Code:-

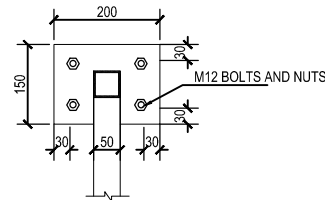
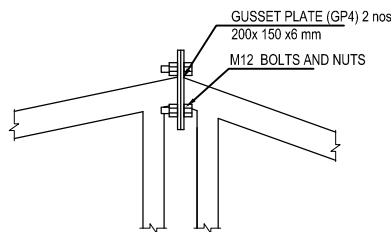
Sheet No:- 7



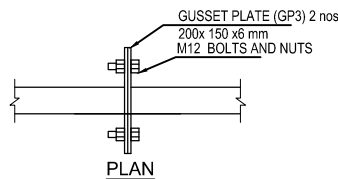
DETAIL 1



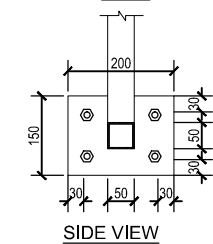
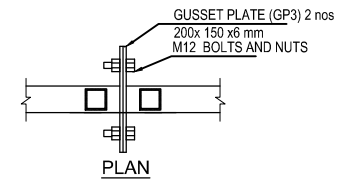
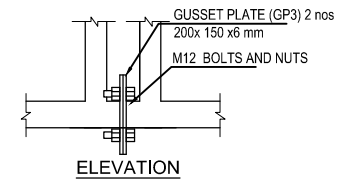
DETAIL 2



**GUSSET PLATE (GP4)
200x 150 x 6 mm**



PLAN



SIDE VIEW

Government of Nepal
Ministry of Education
Department of Education
Sanothimi, Bhaktapur

NATIONAL SOCIETY FOR EARTHQUAKE TECHNOLOGY-NEPAL. (NSET)
Sainbu, Karyabinayak Municipality, Bhainsepati Residential Area, Lalitpur
Tel:(977-1)5591000, Fax: (997-1)5592692, P.O BOX: 13775, Kathmandu, Nepal
Email: nset@nset.org.np

UNICEF - NEPAL
UN House, Pulchowk, Lalitpur

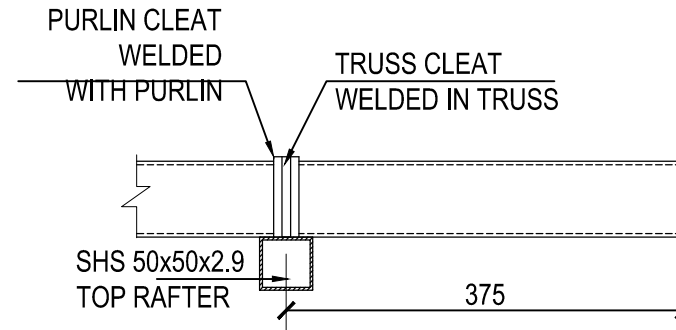
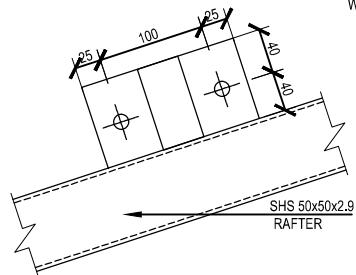
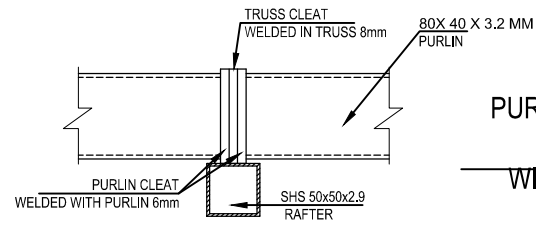
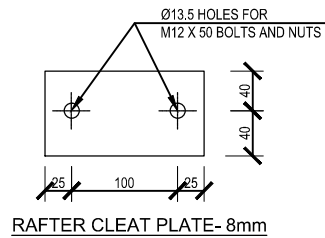
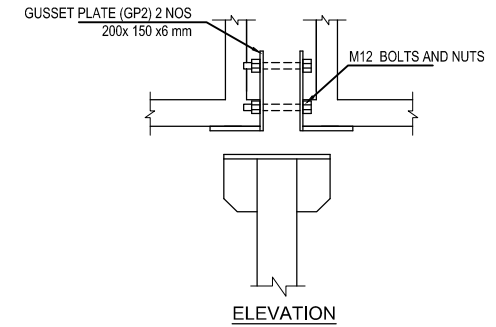
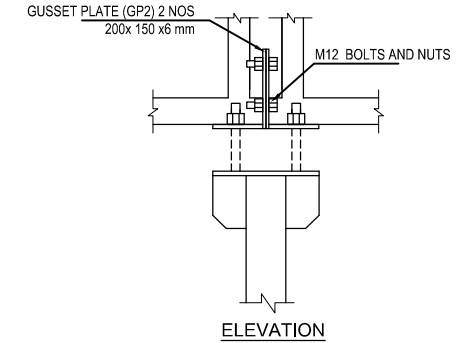
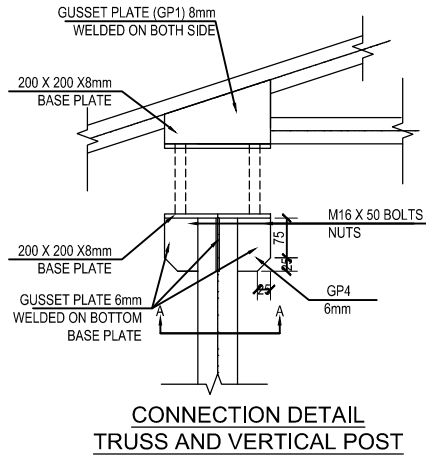
JOB TITLE :
TRANSITIONAL LEARNING CENTER

Title :
DETAILS

Date :
Scale :
Designed by : Er. GOVIND RAJ BHATTA
M.Sc. STRUCTURAL ENGINEER
: NEC NO. 6361 CIVIL 'A'
Drawn by : Ar. SABINDRA SHRESTHA
Checked by :

Drawing Code:-

Sheet No:- 8



TRUSS CLEAT PLATE- 6mm

END PURLIN DETAIL

Government of Nepal
Ministry of Education
Department of Education
Sanothimi, Bhaktapur

NATIONAL SOCIETY FOR EARTHQUAKE TECHNOLOGY-NEPAL. (NSET)
Sainbu, Karyabinayak Municipality, Bhainsepati Residential Area, Lalitpur
Tel:(977-1)5591000, Fax: (997-1)5592692, P.O BOX: 13775, Kathmandu, Nepal
Email: nset@nset.org.np

UNICEF - NEPAL
UN House, Pulchowk, Lalitpur

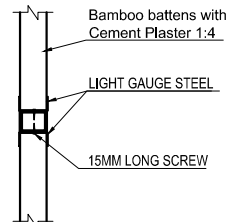
JOB TITLE :
TRANSITIONAL LEARNING CENTER

Title :
DETAILS

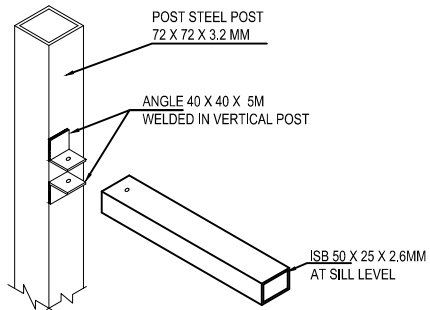
Date :
Scale :
Designed by : **En. GOVIND RAJ BHATTA**
: **M SC. STRUCTURAL ENGINEER**
: **NEC NO. 6361 CIVIL 'A'**
Drawn by : **Ar. SABINDRA SHRESTHA**
Checked by :

Drawing Code:-

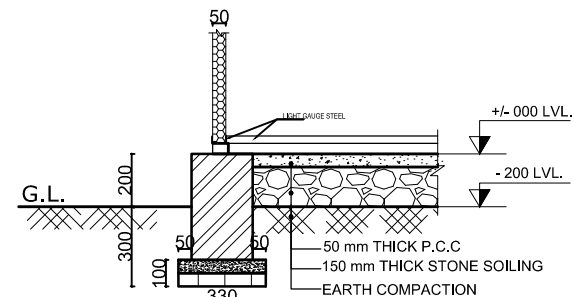
Sheet No:- 9



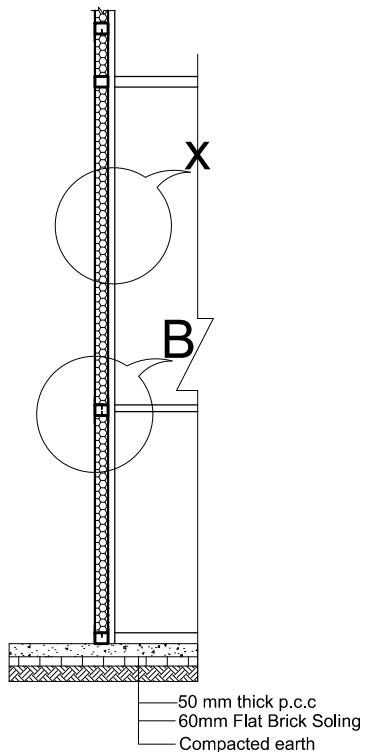
DETAIL AT B
CONNECTION DETAIL LGS
AND HORIZONTAL BRACING MEMBER



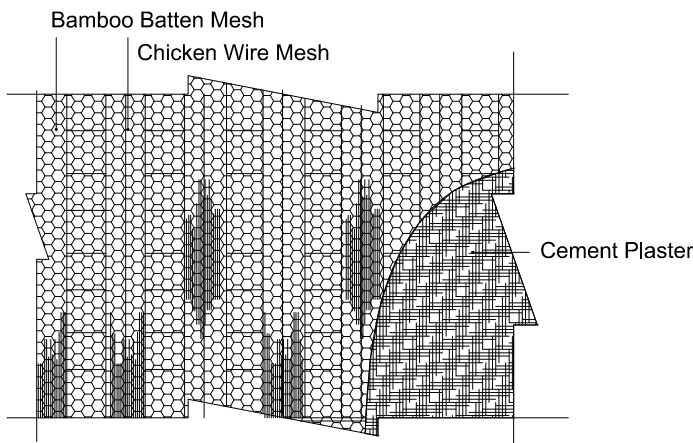
PLAN
DETAIL X



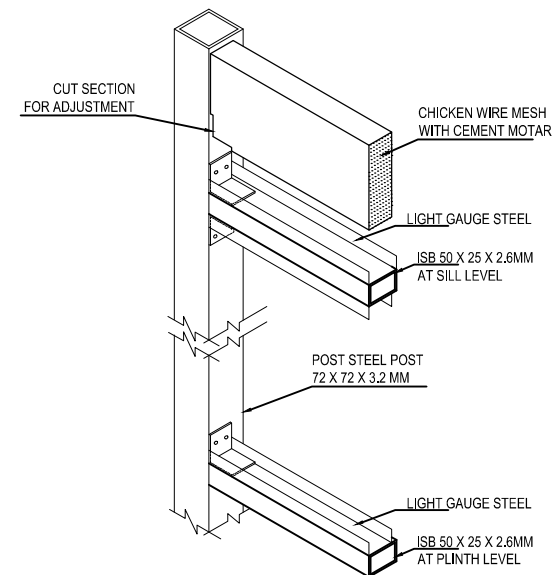
SECTION AT 1-1



Section at C-C
External Wall Detail



WALL ELEVATION



DETAIL AT POST AND
HORIZONTAL MEMBER CONNECTION

Government of Nepal
Ministry of Education
Department of Education
Sanothimi, Bhaktapur

NATIONAL SOCIETY FOR EARTHQUAKE TECHNOLOGY-NEPAL. (NSET)
Sainbu, Karyabinayak Municipality, Bhainsepati Residential Area, Lalitpur
Tel:(977-1)5591000, Fax: (997-1)5592692, P.O BOX: 13775, Kathmandu, Nepal
Email: nset@nset.org.np

UNICEF - NEPAL
UN House, Pulchowk, Lalitpur

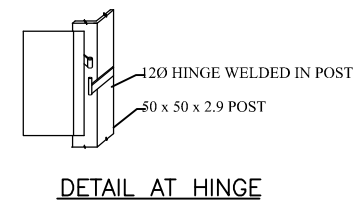
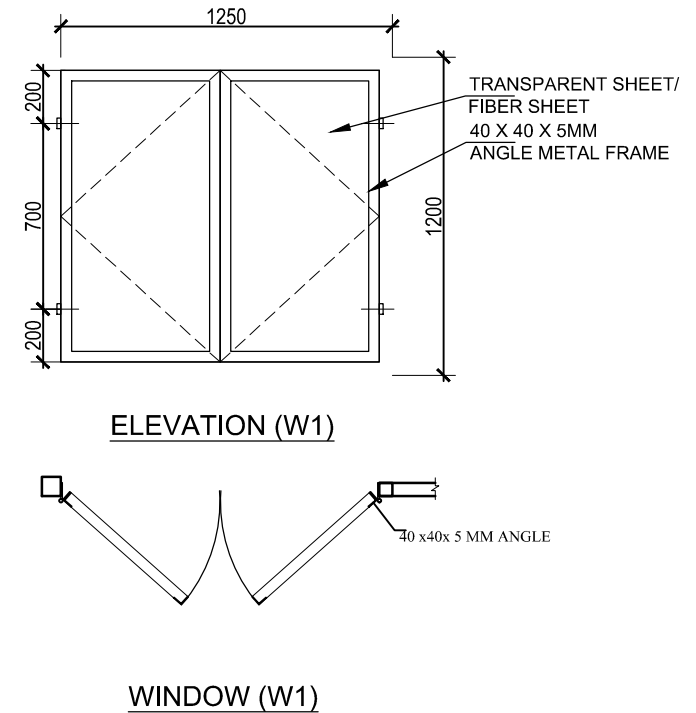
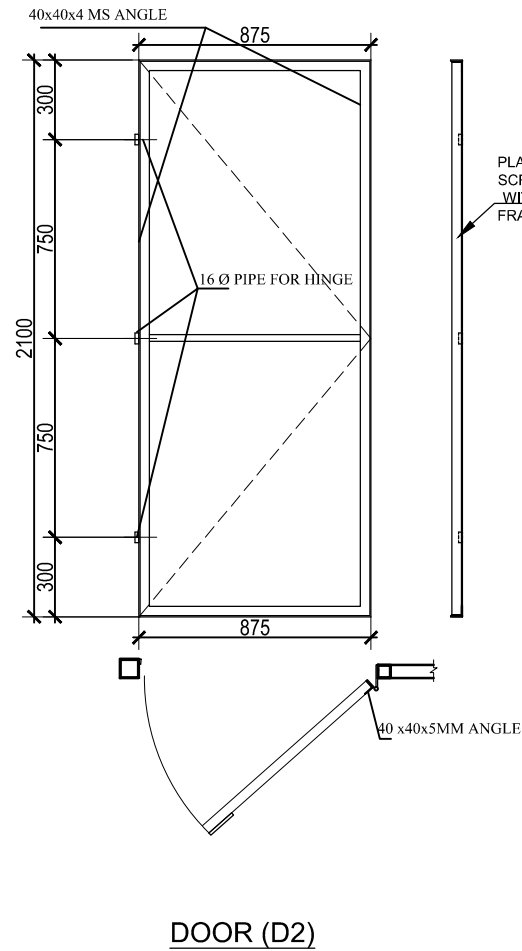
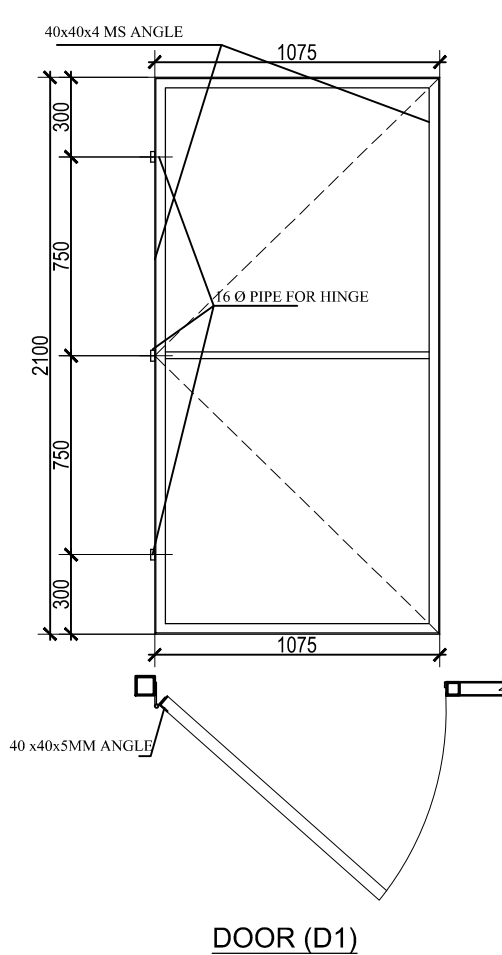
JOB TITLE :
TRANSITIONAL LEARNING CENTER

Title :
DETAILS

Date :
Scale :
Designed by : **Dr. GOVIND RAJ BHATTA**
M.Sc. STRUCTURAL ENGINEER
NEC NO. 6361 CIVIL 'A'
Drawn by : **Dr. SABINDRA SHRESTHA**
Checked by :

Drawing Code:-

Sheet No:- 10



Government of Nepal
Ministry of Education
Department of Education
Sanothimi, Bhaktapur

NATIONAL SOCIETY FOR EARTHQUAKE TECHNOLOGY-NEPAL. (NSET)
Sainbu, Karyabinayak Municipality, Bhainsepati Residential Area, Lalitpur
Tel:(977-1)5591000, Fax: (997-1)5592692, P.O BOX: 13775, Kathmandu, Nepal
Email: nset@nset.org.np

UNICEF - NEPAL
UN House, Pulchowk, Lalitpur

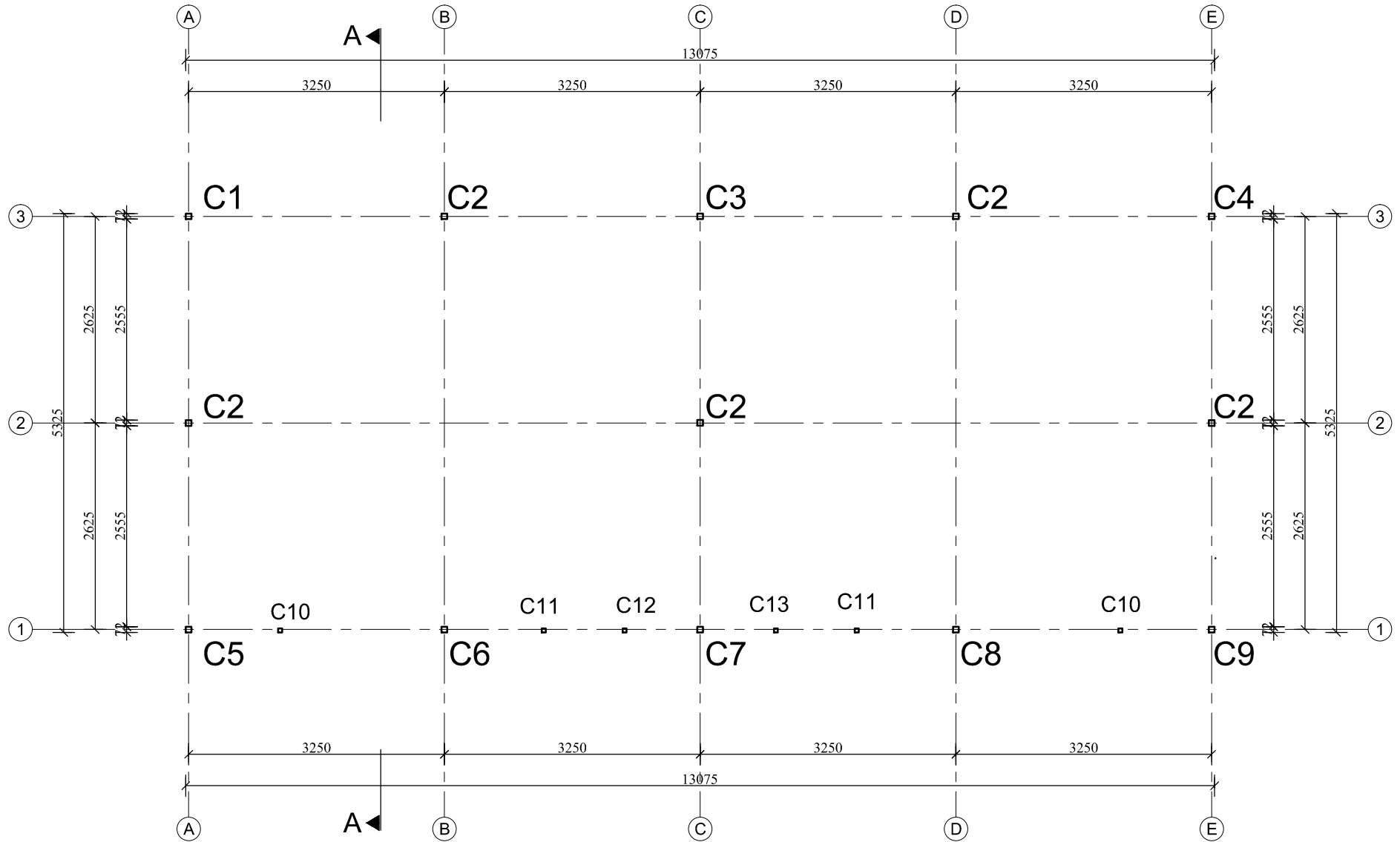
JOB TITLE :
TRANSITIONAL LEARNING CENTER

Title :
DOOR WINDOW DETAILS

Date :
Scale :
Designed by: Er. GOVIND RAJ BHATTA
M SC. STRUCTURAL ENGINEER
: NEC NO. 6361 CIVIL 'A'
Drawn by : Ar. SABINDRA SHRESTHA
Checked by :

Drawing Code:-

Sheet No:- 11



COLUMN FOR FABRICATION

VERTICAL POST SECTION = 72X 72 X 3.2

Government of Nepal
 Ministry of Education
 Department of Education
 Sanothimi, Bhaktapur

NATIONAL SOCIETY FOR EARTHQUAKE TECHNOLOGY-NEPAL. (NSET)
 Sainbu, Karyabinayak Municipality, Bhainsepati Residential Area, Lalitpur
 Tel:(977-1)5591000, Fax: (997-1)5592692, P.O BOX: 13775, Kathmandu, Nepal
 Email: nset@nset.org.np

UNICEF - NEPAL
 UN House, Pulchowk, Lalitpur

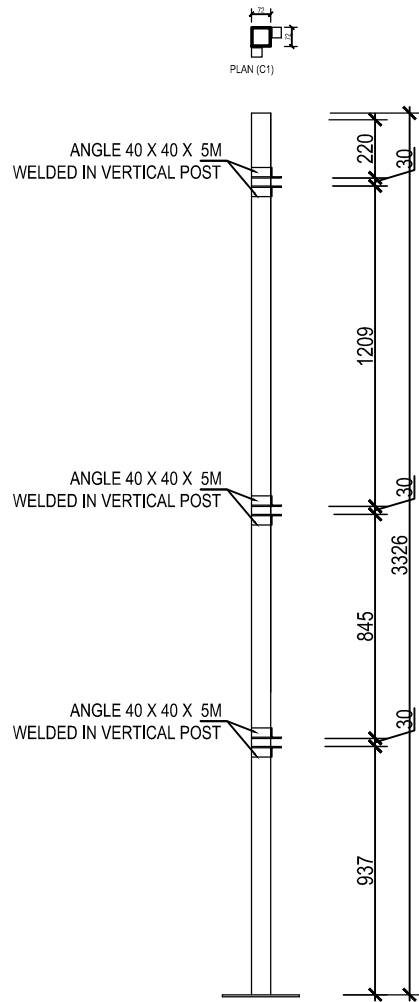
JOB TITLE :
TRANSITIONAL LEARNING CENTER

Title :
DETAILS

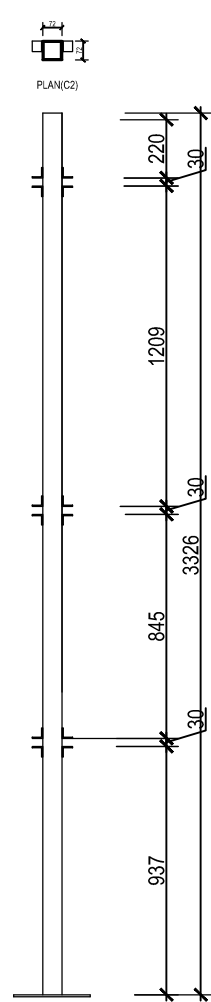
Date	:	
Scale	:	
Designed by	:	Er. GOVIND RAJ BHATTA M.SC. STRUCTURAL ENGINEER : NEC NO. 6361 CIVIL 'A'
Drawn by	:	Ar. SABINDRA SHRESTHA
Checked by	:	

Drawing Code:-

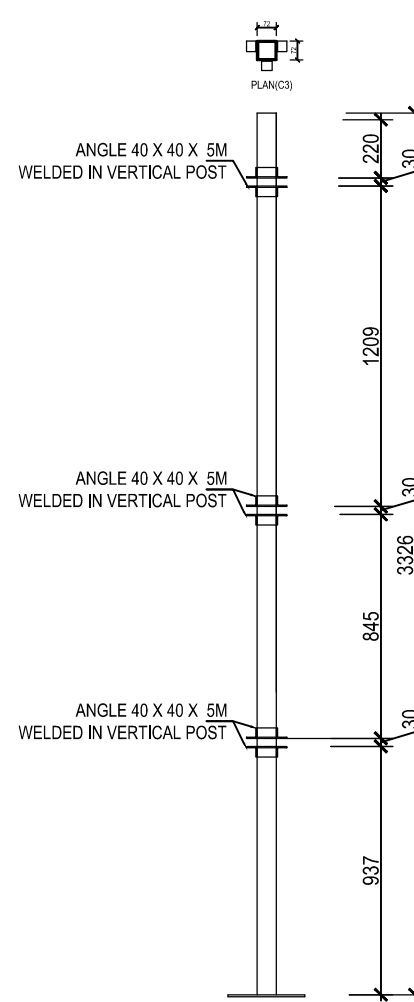
Sheet No:- 12



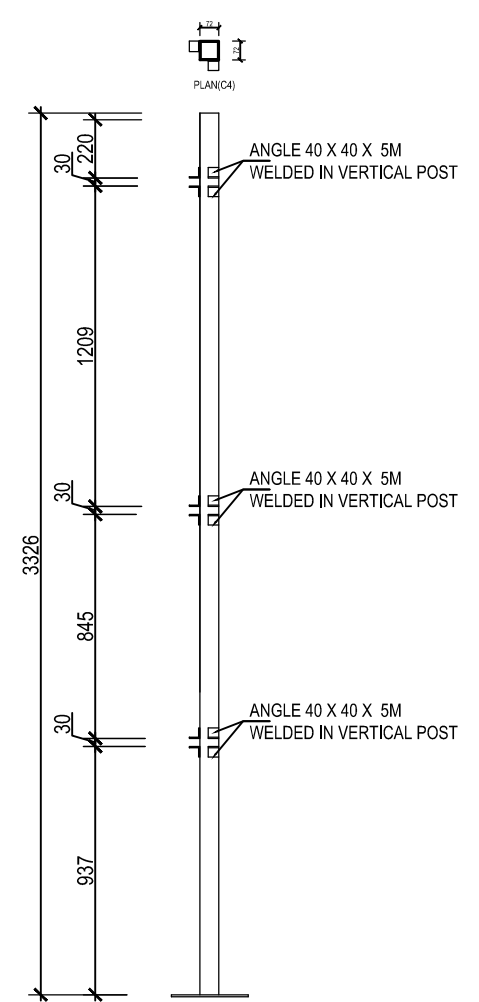
C1



C2



C3



C4

VERTICAL POST SECTION =72X 72 X 3.2

Government of Nepal
Ministry of Education
Department of Education
Sanothimi, Bhaktapur

NATIONAL SOCIETY FOR EARTHQUAKE TECHNOLOGY-NEPAL. (NSET)
Sainbu, Karyabinayak Municipality, Bhainsepati Residential Area, Lalitpur
Tel:(977-1)5591000, Fax: (997-1)5592692, P.O BOX: 13775, Kathmandu, Nepal
Email: nset@nset.org.np

UNICEF - NEPAL
UN House, Pulchowk, Lalitpur

JOB TITLE :
TRANSITIONAL LEARNING CENTER

Title :
DETAILS

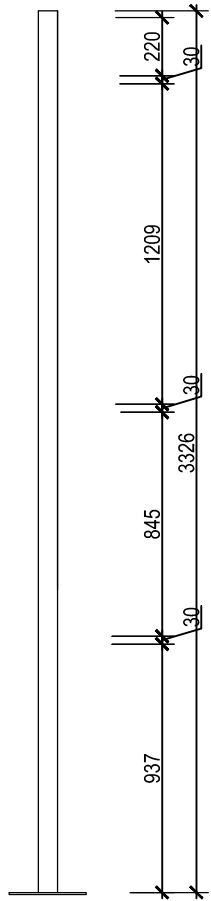
Date :
Scale :
Designed by : **En. GOVIND RAJ BHATTA**
: **M.SC. STRUCTURAL ENGINEER**
: **NEC NO. 6361 CIVIL 'A'**
Drawn by : **Ar. SABINDRA SHRESTHA**
Checked by :

Drawing Code:-

Sheet No:- 13



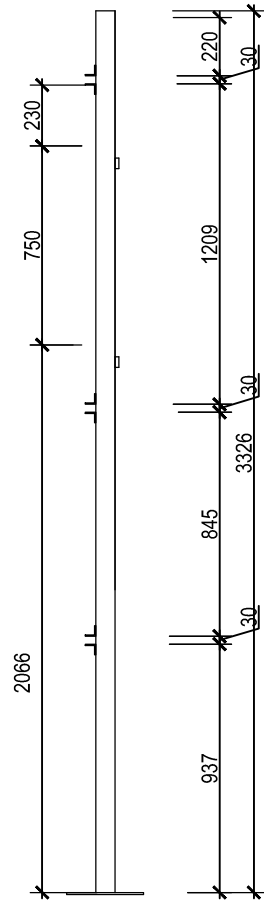
PLAN(C5)



C5



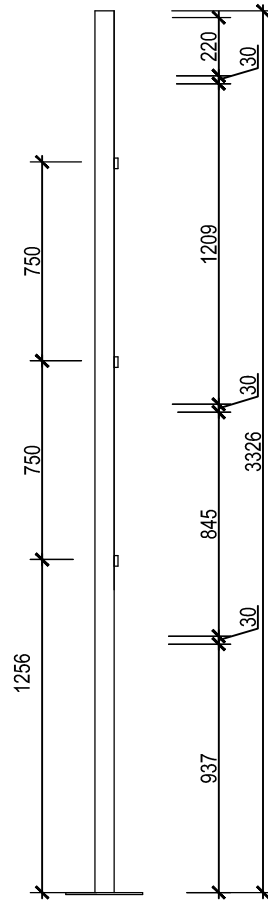
PLAN(C6)



C6



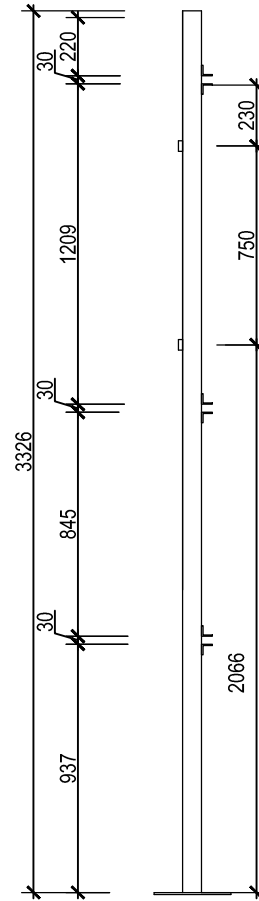
PLAN(C7)



C7



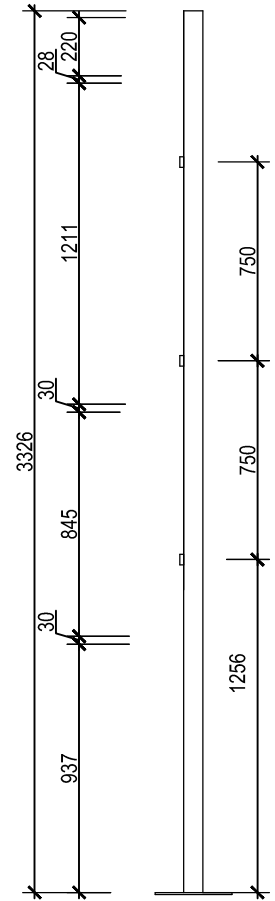
PLAN(C8)



C8



PLAN(C9)



C9

VERTICAL POST SECTION =72X 72 X 3.2

Government of Nepal
Ministry of Education
Department of Education
Sanothimi, Bhaktapur

NATIONAL SOCIETY FOR EARTHQUAKE TECHNOLOGY-NEPAL. (NSET)
Sainbu, Karyabinayak Municipality, Bhainsepati Residential Area, Lalitpur
Tel:(977-1)5591000, Fax: (997-1)5592692, P.O BOX: 13775, Kathmandu, Nepal
Email: nset@nset.org.np

UNICEF - NEPAL
UN House, Pulchowk, Lalitpur

JOB TITLE :
TRANSITIONAL LEARNING CENTER

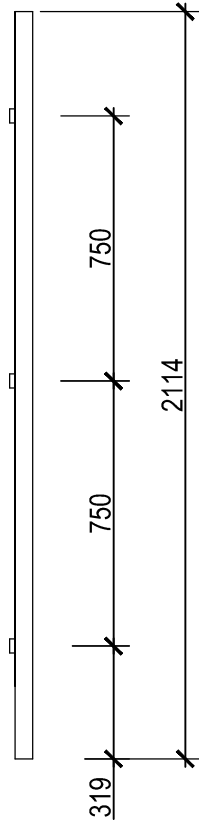
Title :
DETAILS

Date :
Scale :
Designed by : **En. GOVIND RAJ BHATTA**
M.Sc. STRUCTURAL ENGINEER
NEC NO. 6361 CIVIL 'A'
Drawn by : **Ar. SABINDRA SHRESTHA**
Checked by :

Drawing Code:-

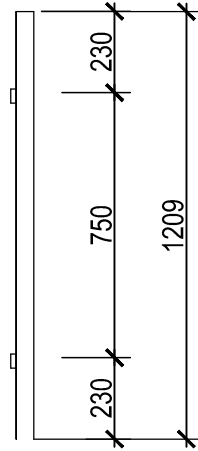
Sheet No:- 14

PLAN(C10)



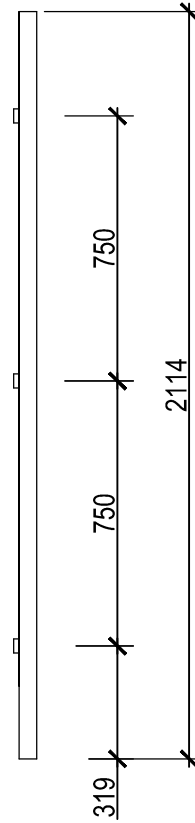
C10

PLAN(C11)



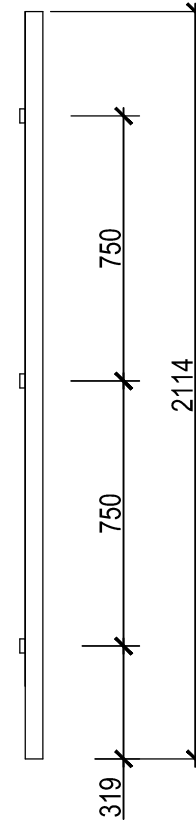
C11

PLAN(C12)



C12

PLAN(C13)



C13

EXTRA POST NEAR DOOR AND WINDOW
SECTION 50X 50 X 2.9M

Government of Nepal
Ministry of Education
Department of Education
Sanothimi, Bhaktapur

NATIONAL SOCIETY FOR EARTHQUAKE TECHNOLOGY-NEPAL. (NSET)
Sainbu, Karyabinayak Municipality, Bhainsepati Residential Area, Lalitpur
Tel:(977-1)5591000, Fax: (997-1)5592692, P.O BOX: 13775, Kathmandu, Nepal
Email: nset@nset.org.np

UNICEF - NEPAL
UN House, Pulchowk, Lalitpur

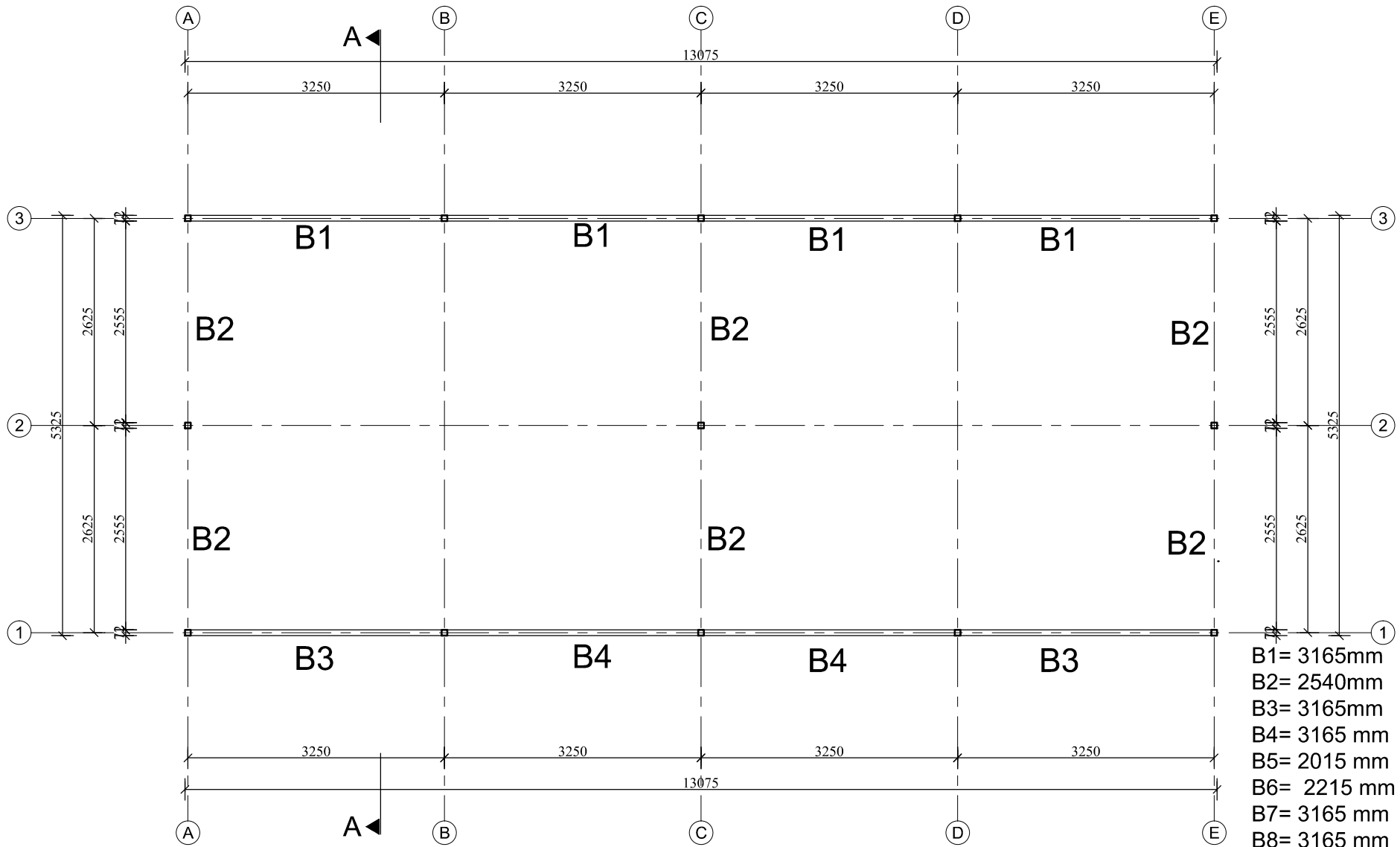
JOB TITLE :
TRANSITIONAL LEARNING CENTER

Title :
DETAILS

Date :
Scale :
Designed by : **En. GOVIND RAJ BHATTA**
M.Sc. STRUCTURAL ENGINEER
: **NEC NO. 6361 CIVIL 'A'**
Drawn by : **Ar. SABINDRA SHRESTHA**
Checked by :

Drawing Code:-

Sheet No:- 15



BOTTOM LEVEL BRACING

- B1= 3165mm
- B2= 2540mm
- B3= 3165mm
- B4= 3165 mm
- B5= 2015 mm
- B6= 2215 mm
- B7= 3165 mm
- B8= 3165 mm

Government of Nepal
 Ministry of Education
 Department of Education
 Sanothimi, Bhaktapur

NATIONAL SOCIETY FOR EARTHQUAKE TECHNOLOGY-NEPAL. (NSET)
 Sainbu, Karyabinayak Municipality, Bhainsepati Residential Area, Lalitpur
 Tel:(977-1)5591000, Fax: (997-1)5592692, P.O BOX: 13775, Kathmandu, Nepal
 Email: nset@nset.org.np

UNICEF - NEPAL
 UN House, Pulchowk, Lalitpur

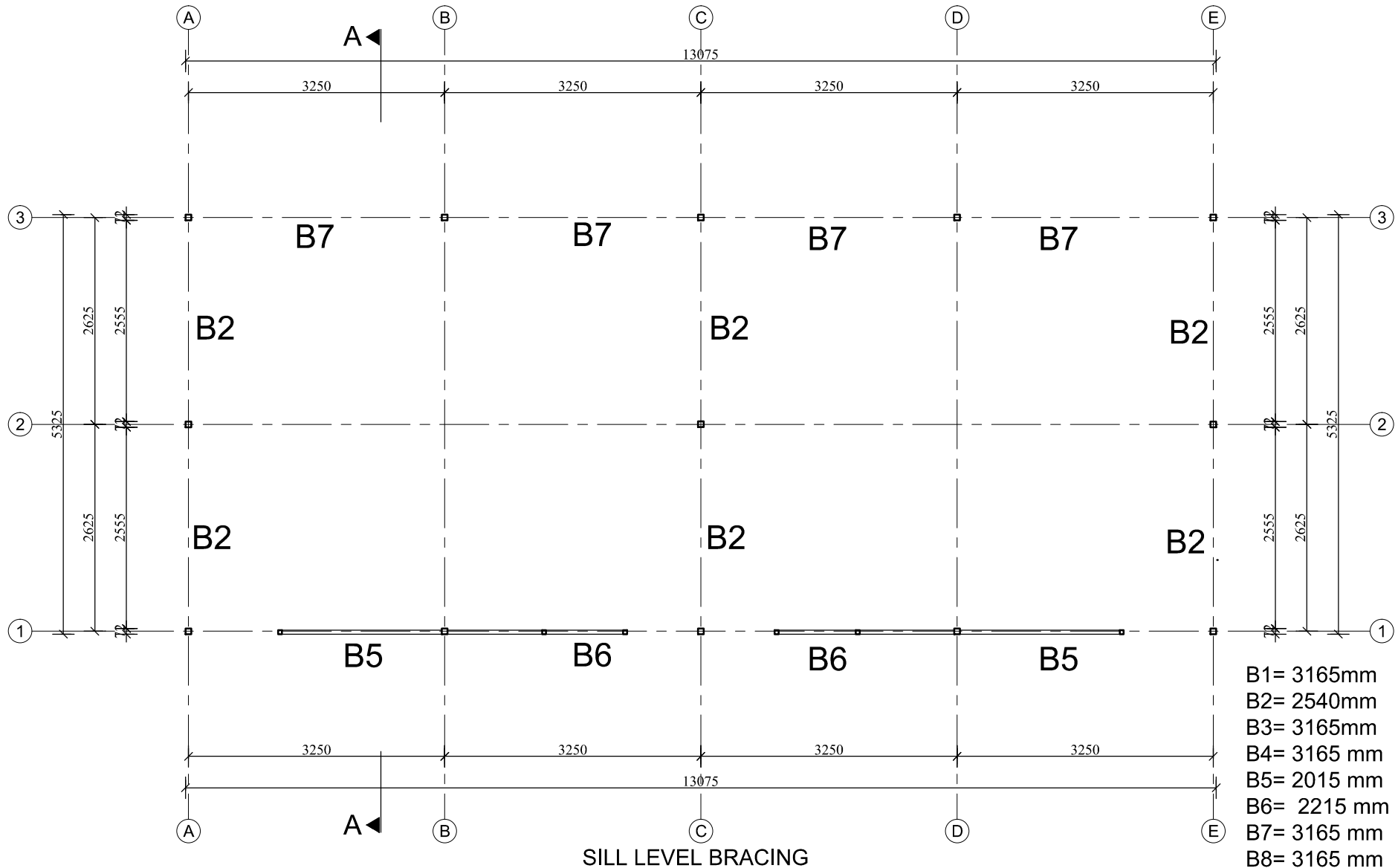
JOB TITLE :
TRANSITIONAL LEARNING CENTER

Title :
DETAILS

Date :
 Scale :
 Designed by : **En. GOVIND RAJ BHATTA**
 : **M.SC. STRUCTURAL ENGINEER**
 : **NEC NO. 6361 CIVIL 'A'**
 Drawn by : **Ar. SABINDRA SHRESTHA**
 Checked by :

Drawing Code:-

Sheet No:- 16



Government of Nepal
 Ministry of Education
 Department of Education
 Sanothimi, Bhaktapur

NATIONAL SOCIETY FOR EARTHQUAKE TECHNOLOGY-NEPAL. (NSET)
 Sainbu, Karyabinayak Municipality, Bhainsepati Residential Area, Lalitpur
 Tel:(977-1)5591000, Fax: (997-1)5592692, P.O BOX: 13775, Kathmandu, Nepal
 Email: nset@nset.org.np

UNICEF - NEPAL
 UN House, Pulchowk, Lalitpur

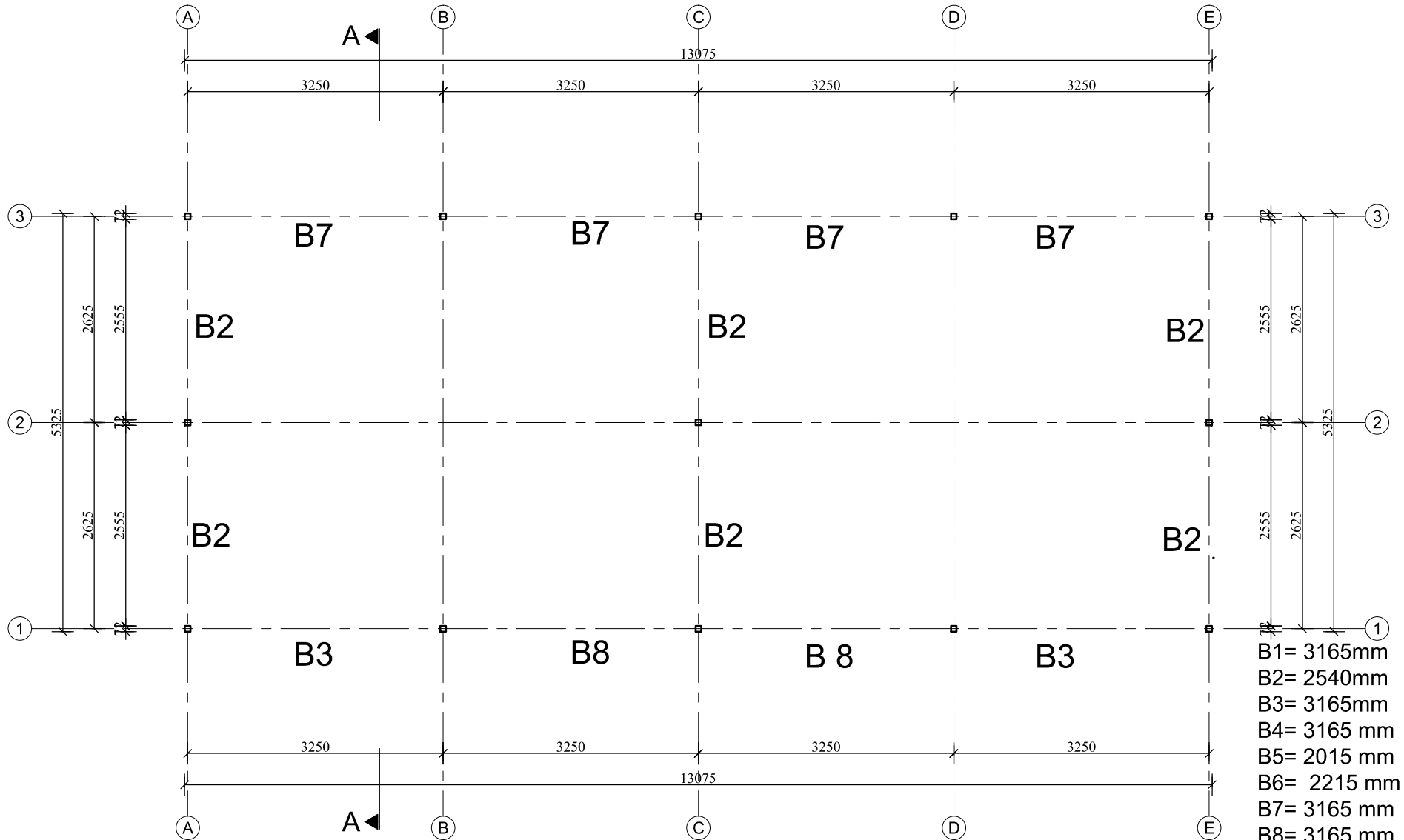
JOB TITLE :
TRANSITIONAL LEARNING CENTER

Title :
DETAILS

Date	:	
Scale	:	
Designed by	:	Er. GOVIND RAJ BHATTA M.SC. STRUCTURAL ENGINEER NEC NO. 6361 CIVIL 'A'
Drawn by	:	Ar. SABINDRA SHRESTHA
Checked by	:	

Drawing Code:-

Sheet No:- 17



LINTEL LEVEL BRACING

Government of Nepal
 Ministry of Education
 Department of Education
 Sanothimi, Bhaktapur

NATIONAL SOCIETY FOR EARTHQUAKE TECHNOLOGY-NEPAL. (NSET)
 Sainbu, Karyabinayak Municipality, Bhainsepati Residential Area, Lalitpur
 Tel:(977-1)5591000, Fax: (997-1)5592692, P.O BOX: 13775, Kathmandu, Nepal
 Email: nset@nset.org.np

UNICEF - NEPAL
 UN House, Pulchowk, Lalitpur

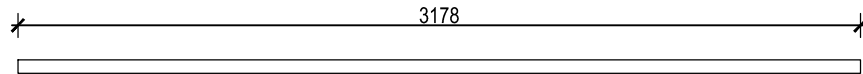
JOB TITLE :
TRANSITIONAL LEARNING CENTER

Title :
 DETAILS

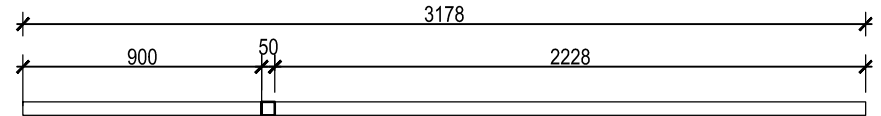
Date :
 Scale :
 Designed by: E. GOVIND RAJ BHATTA
 : M.SC. STRUCTURAL ENGINEER
 : NEC NO. 6361 CIVIL 'A'
 Drawn by : Ar. SABINDRA SHRESTHA
 Checked by :

Drawing Code:-

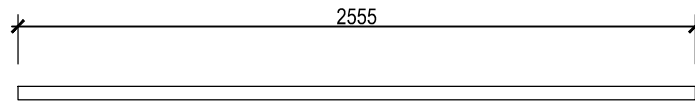
Sheet No:- 18



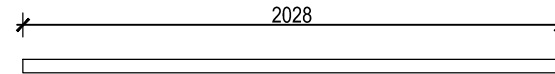
B1



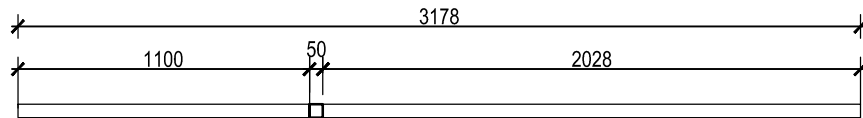
B4



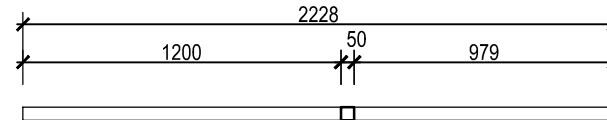
B2



B5



B3



B6

Government of Nepal
 Ministry of Education
 Department of Education
 Sanothimi, Bhaktapur

NATIONAL SOCIETY FOR EARTHQUAKE TECHNOLOGY-NEPAL. (NSET)
 Sainbu, Karyabinayak Municipality, Bhainsepati Residential Area, Lalitpur
 Tel:(977-1)5591000, Fax: (997-1)5592692, P.O BOX: 13775, Kathmandu, Nepal
 Email: nset@nset.org.np

UNICEF - NEPAL
 UN House, Pulchowk, Lalitpur

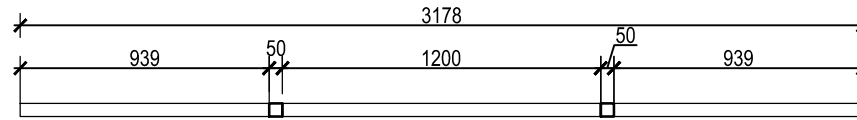
JOB TITLE :
TRANSITIONAL LEARNING CENTER

Title :
 DETAILS

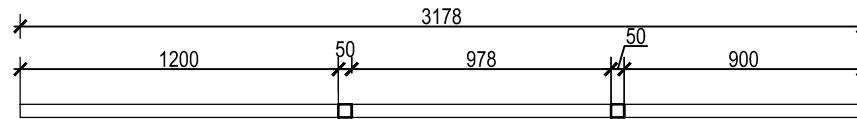
Date :
 Scale :
 Designed by : Er. GOVIND RAJ BHATTA
 M.Sc. STRUCTURAL ENGINEER
 : NEC NO. 6361 CIVIL 'A'
 Drawn by : Ar. SABINDRA SHRESTHA
 Checked by :

Drawing Code:-

Sheet No:- 19



B7



B8

Government of Nepal
 Ministry of Education
 Department of Education
 Sanothimi, Bhaktapur

NATIONAL SOCIETY FOR EARTHQUAKE TECHNOLOGY-NEPAL. (NSET)
 Sainbu, Karyabinayak Municipality, Bhainsepati Residential Area, Lalitpur
 Tel:(977-1)5591000, Fax: (997-1)5592692, P.O BOX: 13775, Kathmandu, Nepal
 Email: nset@nset.org.np

UNICEF - NEPAL
 UN House, Pulchowk, Lalitpur

JOB TITLE :
TRANSITIONAL LEARNING CENTER

Title :
DETAILS

Date	:	
Scale	:	
Designed by	:	Er. GOVIND RAJ BHATTA M.Sc. STRUCTURAL ENGINEER NEC NO. 6361 CIVIL 'A'
Drawn by	:	Ar. SABINDRA SHRESTHA
Checked by	:	

Drawing Code:-

Sheet No:- 20