

# **EMERGENCY LATRINE**

SEMI-PERMANENT STEEL FRAME  
POUR FLUSH TWIN PIT LATRINE

**DEPARTMENT OF EDUCATION**

Sanothimi, Bhaktapur

**UNICEF -NEPAL**

UN House, Pulchowk, Lalitpur

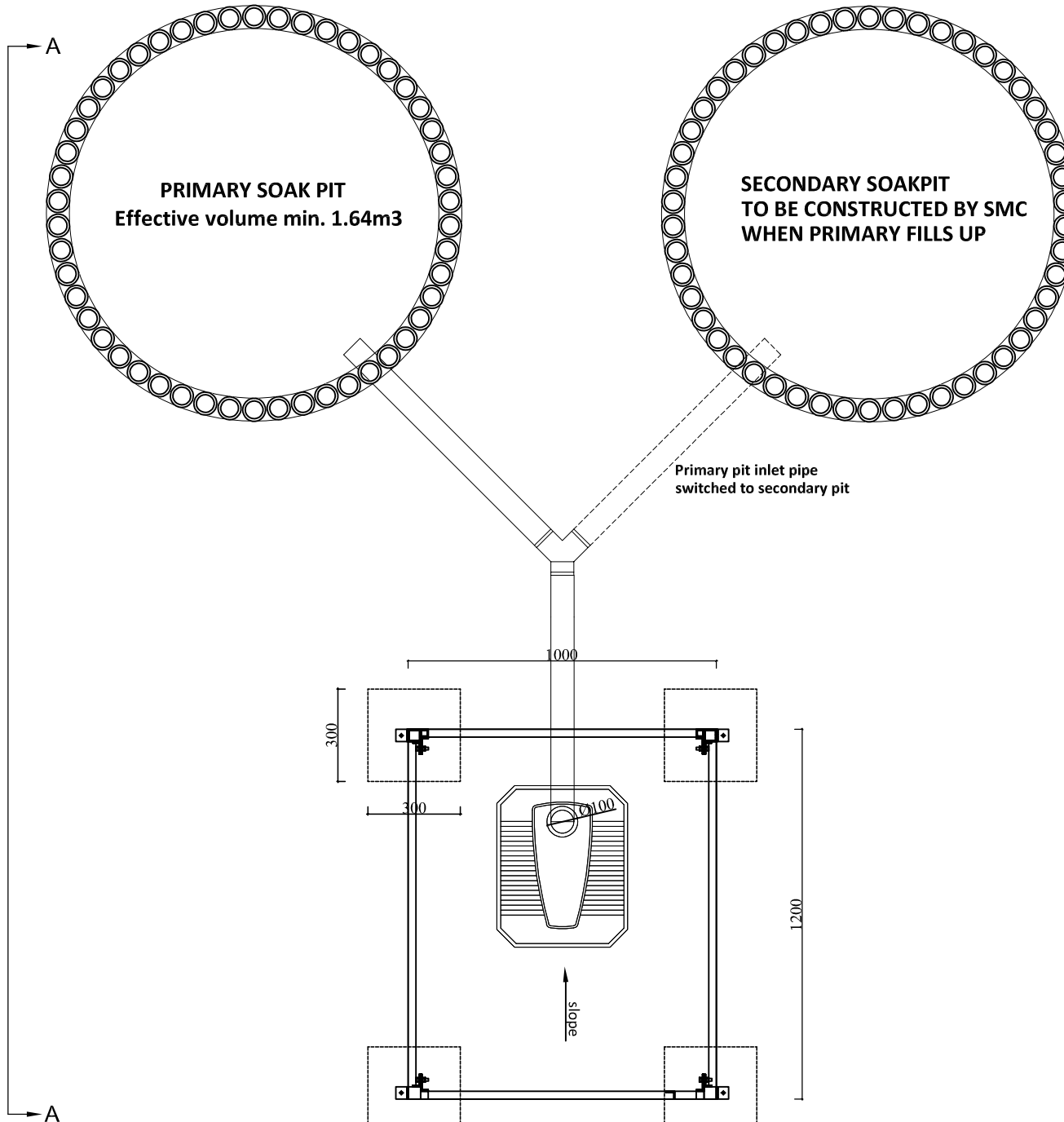
**FINN CHURCH AID - NEPAL**

FCA Nepal country office, Gairidhara, Kathmandu

<b>Drawing list</b>						
Emergency latrine		Education in Emergencies: Towards Learner-Friendly Post-Earthquake Recovery and Resilience				
Last update: 28.06.2016						
<b>Name of the drawing</b>	<b>Type</b>	<b>Date</b>	<b>nro</b>	<b>scale</b>	<b>Revision</b>	<b>Revision date</b>
List of drawings	-	28/06/2016	-	1	-	-
Plan	Arc	20/06/2016	1	1:20	-	-
Section A-A	Arc	20/06/2016	2	1:20	-	-
Piping	Arc	20/06/2016	3	1:20	-	-
Elevation	Arc	20/06/2016	4	1:20	-	-
Soak pit, bamboo	Arc	20/06/2016	5	1:20	-	-
Soak pit, concrete	Arc	20/06/2016	6	1:20	-	-
Top Frame	Str	28/06/2016	11	1:20	-	-
Left frame	Str	28/06/2016	12	1:20	-	-
Right frame	Str	28/06/2016	13	1:20	-	-
Back frame	Str	28/06/2016	14	1:20	-	-
Front frame and door	Str	28/06/2016	15	1:20	-	-

list of drawings

# PLAN



Government of Nepal  
Ministry of Education  
Department of Education  
Sanothimi, Bhaktapur

NATIONAL SOCIETY FOR EARTHQUAKE TECHNOLOGY-NEPAL. (NSET)  
Sainbu, Karyabinayak Municipality, Bhainsepati Residential Area, Lalitpur

UNICEF - NEPAL  
UN House, Pulchowk, Lalitpur

FINN CHURCH AID - NEPAL  
FCA Nepal Office, #539/37 Subarna Shamsher Marga, Galitdhara, Kathmandu.

NAME:  
SEMI-PERMANENT  
STEEL FRAME  
POUR FLUSH TWIN PIT LATRINE

Drawing:

PLAN

Date : 06/20/2016

Scale : 1:20

Designed by : Finn Church Aid

:

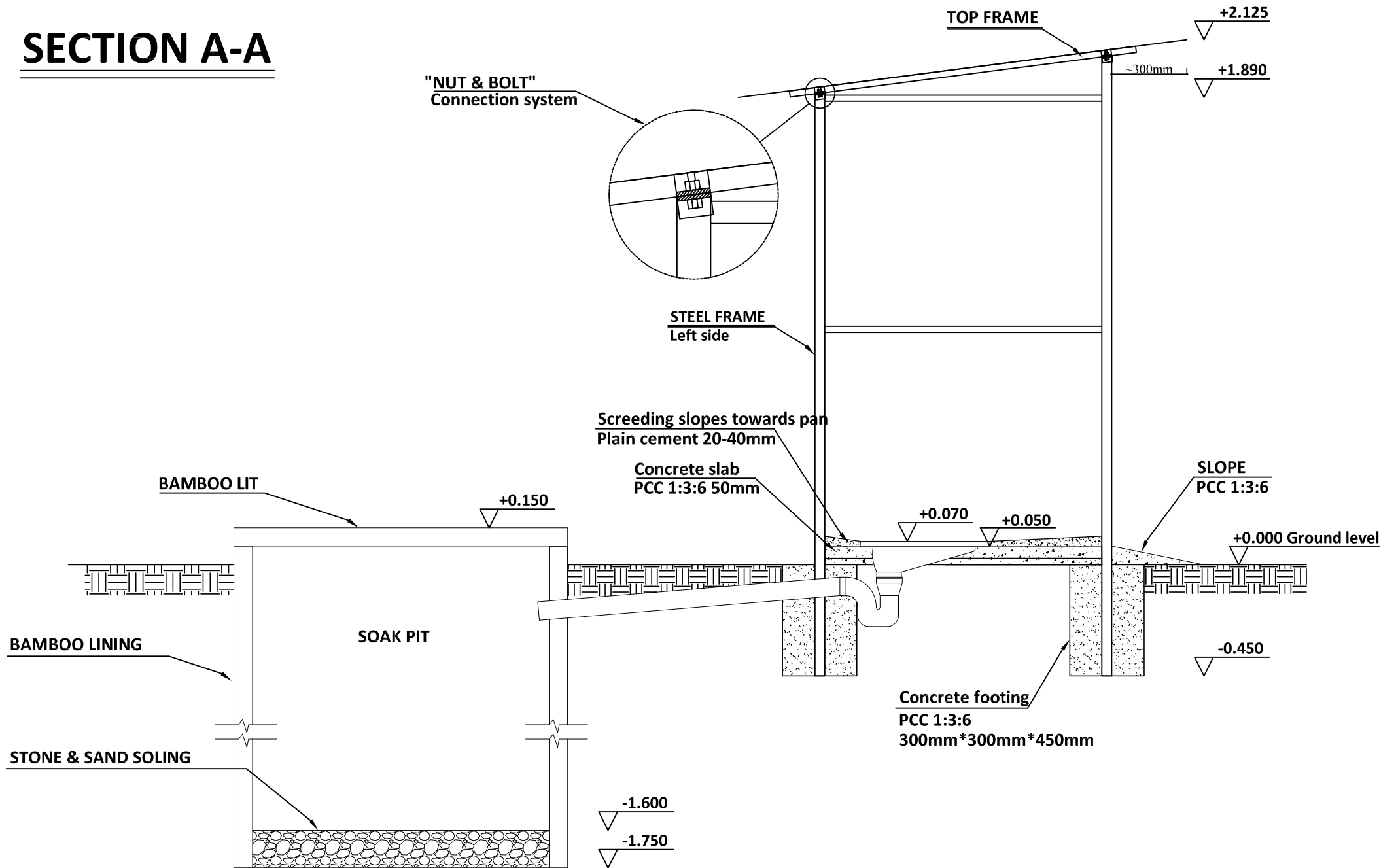
Drawn by : Finn Church Aid

Checked by :

Drawing Code:  
11705A

Sheet No:- 1

# SECTION A-A



Government of Nepal  
 Ministry of Education  
 Department of Education  
 Sanothimi, Bhaktapur

NATIONAL SOCIETY FOR EARTHQUAKE TECHNOLOGY-NEPAL. (NSET)  
 Sainbu, Karyabinayak Municipality, Bhainsepati Residential Area, Lalitpur

UNICEF - NEPAL  
 UN House, Pulchowk, Lalitpur

FINN CHURCH AID - NEPAL  
 FCA Nepal Office, #539/37 Subarna Shamsher Marga, Galridhara, Kathmandu.

JOB TITLE:  
 SEMI-PERMANENT  
 STEEL FRAME  
 POUR FLUSH TWIN PIT LATRINE

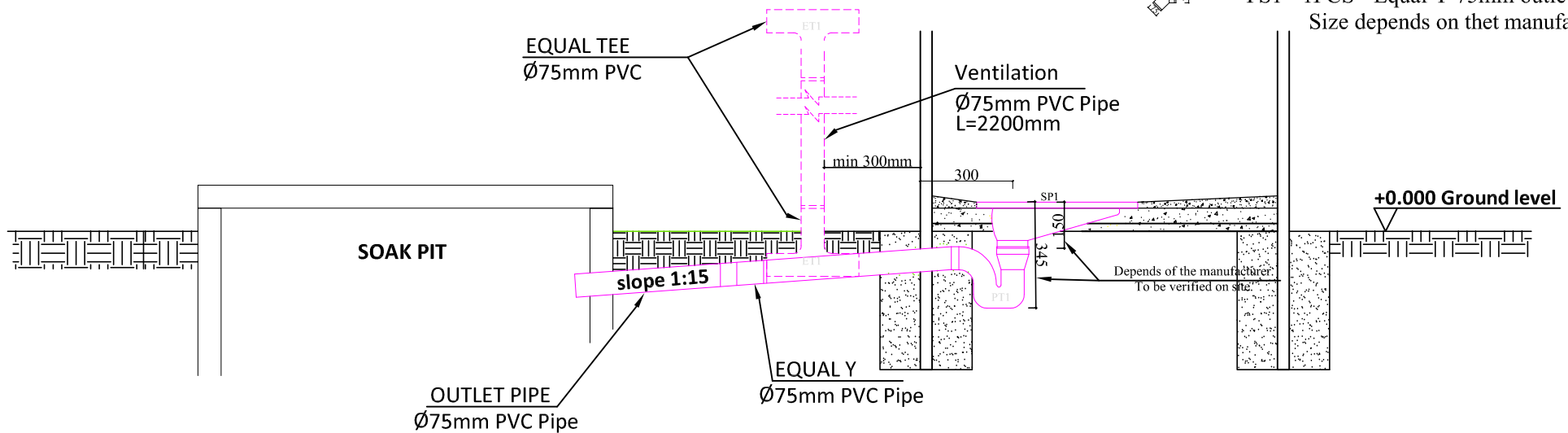
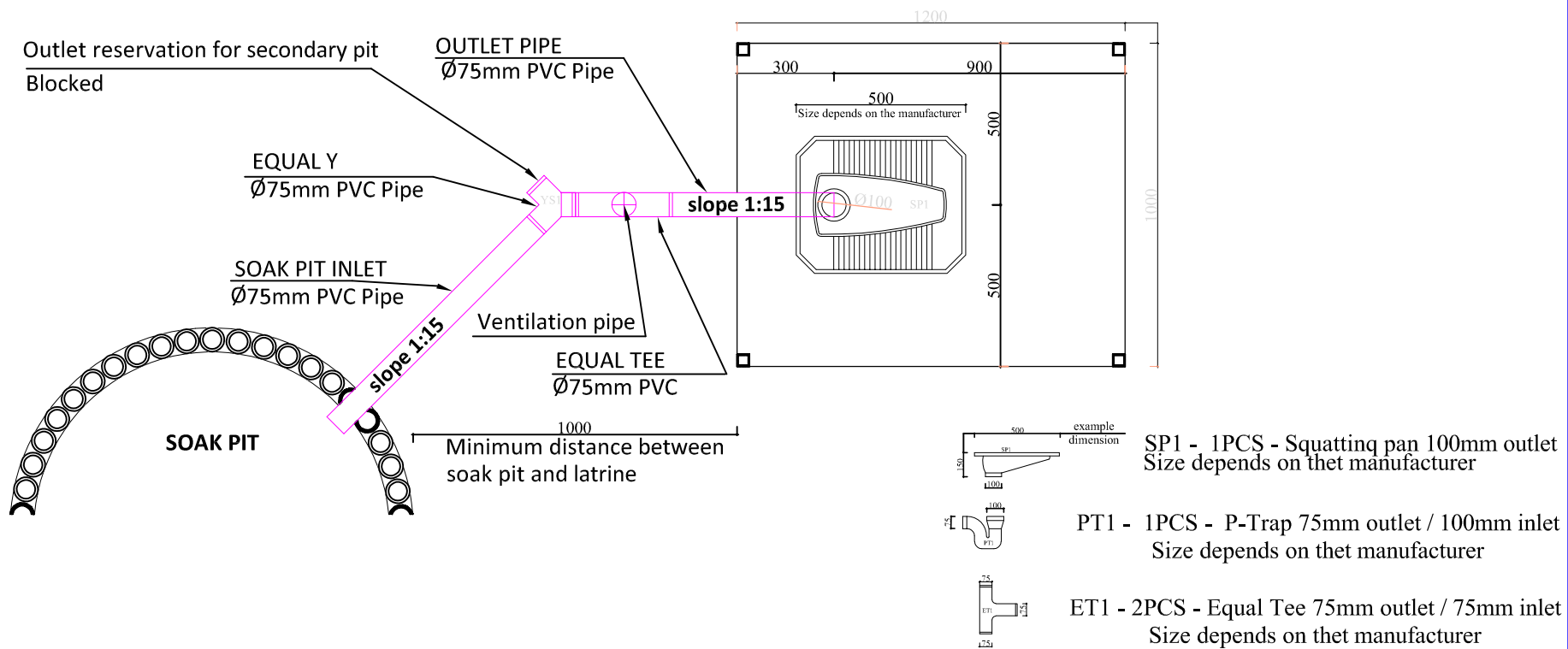
Drawing: SECTION A-A

Date : 06/20/2016  
 Scale : 1:20  
 Designed by : Finn Church Aid  
 :  
 Drawn by : Finn Church Aid  
 Checked by :

Drawing Code:  
 11705A

Sheet No:- 2

# PIPING



Government of Nepal  
Ministry of Education  
Department of Education  
Sanothimi, Bhaktapur

NATIONAL SOCIETY FOR EARTHQUAKE TECHNOLOGY-NEPAL. (NSET)  
Sainbu, Karyabinayak Municipality, Bhainsepati Residential Area, Lalitpur

UNICEF - NEPAL  
UN House, Pulchowk, Lalitpur

FINN CHURCH AID - NEPAL  
FCA Nepal Office, #539/37 Subarna Shamsher Marga, Gauldihara, Kathmandu.

JOB TITLE:  
SEMI-PERMANENT  
STEEL FRAME  
POUR FLUSH TWIN PIT LATRINE

Drawing:  
PIPING

Date : 06/20/2016

Scale : 1:20

Designed by : Finn Church Aid

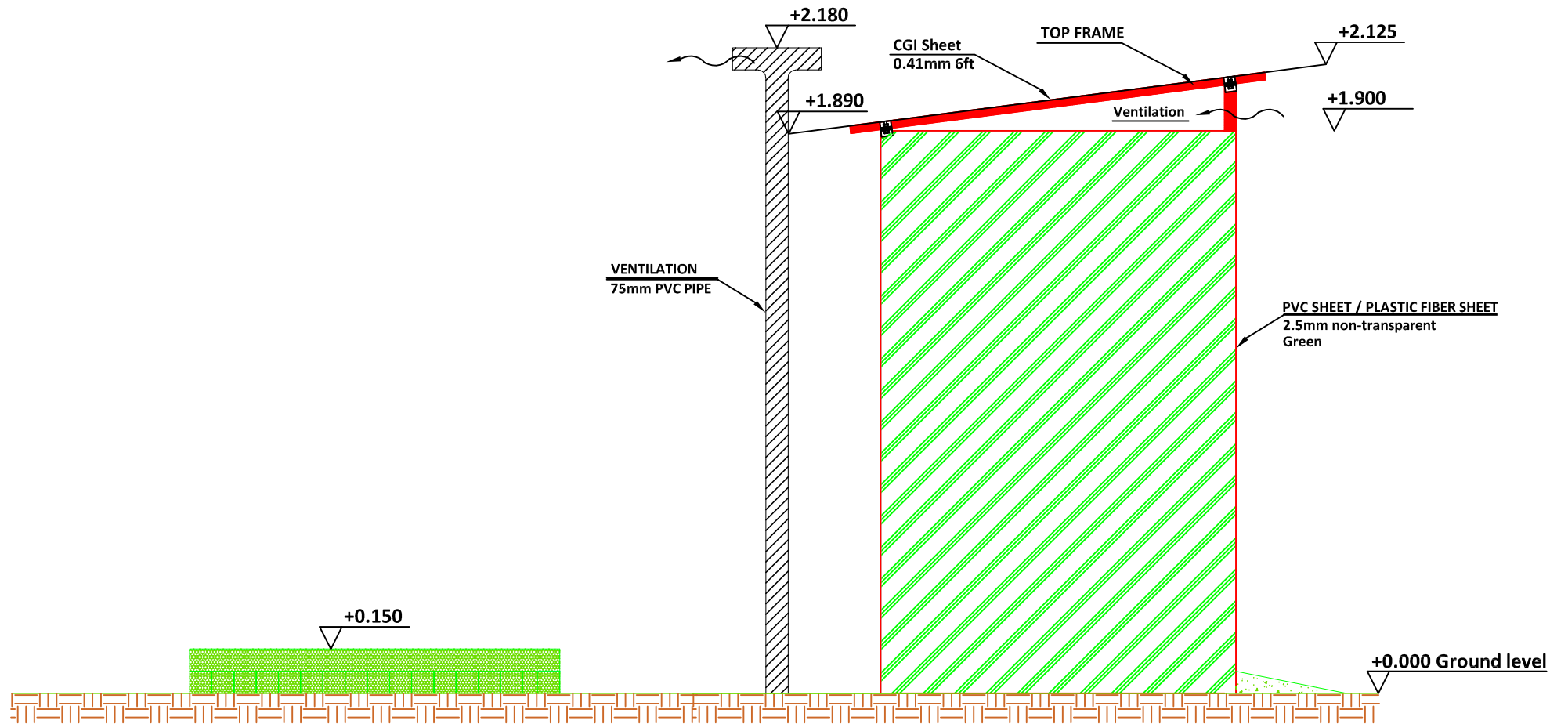
:

Drawn by : Finn Church Aid

Drawing Code:  
11705A

Sheet No:- 3

# SIDE ELEVATION



Government of Nepal  
Ministry of Education  
Department of Education  
Sanothimi, Bhaktapur

NATIONAL SOCIETY FOR EARTHQUAKE TECHNOLOGY-NEPAL. (NSET)  
Sainbu, Karyabinayak Municipality, Bhainsepati Residential Area, Lalitpur

UNICEF - NEPAL  
UN House, Pulchowk, Lalitpur

FINN CHURCH AID - NEPAL  
FCA Nepal Office, #539/37 Subarna Shamsheer Marg, Galichhara, Kathmandu.

JOB TITLE:  
SEMI-PERMANENT  
STEEL FRAME  
POUR FLUSH TWIN PIT LATRINE

Drawing:  
LEFT SIDE ELEVATION

Date : 06/20/2016

Scale : 1:20

Designed by : Finn Church Aid

Drawn by : Finn Church Aid

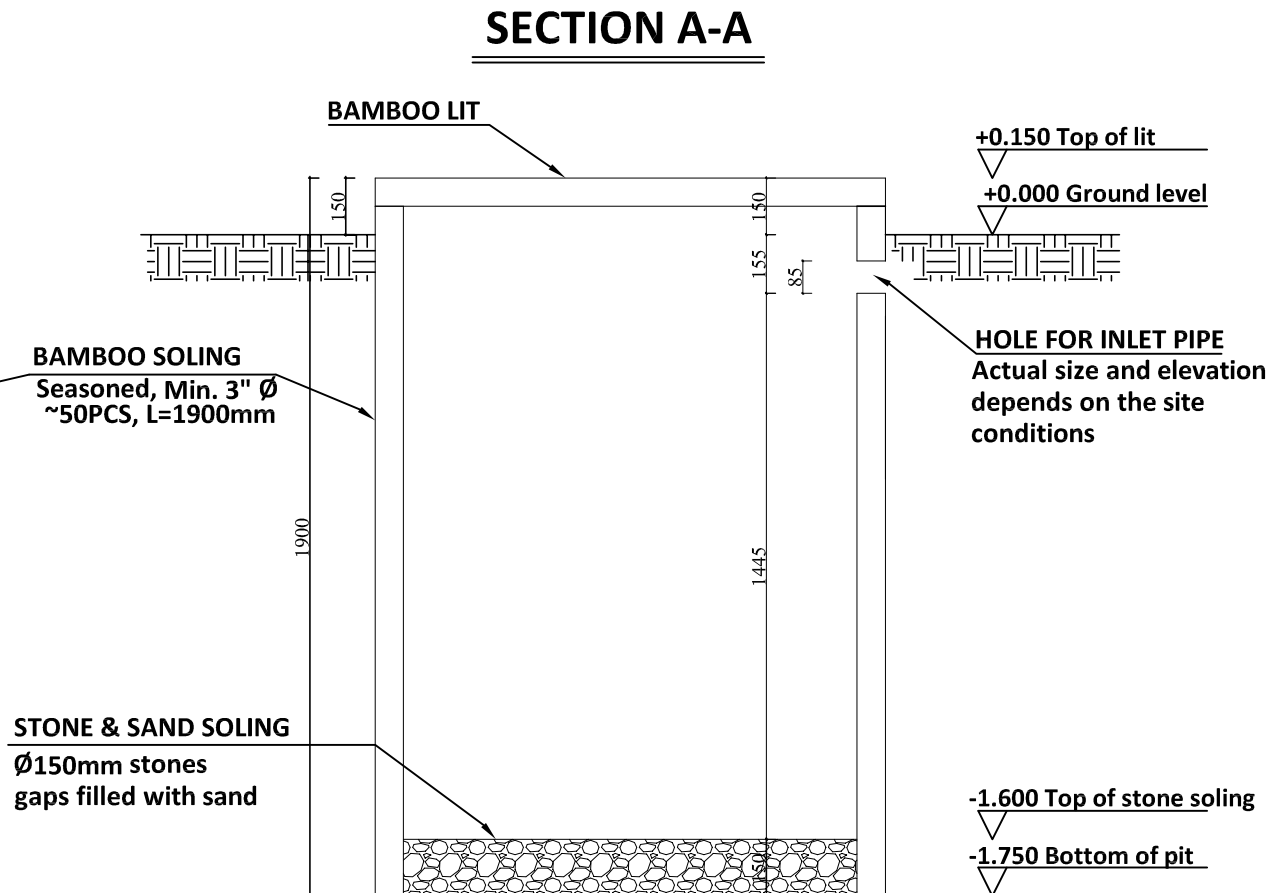
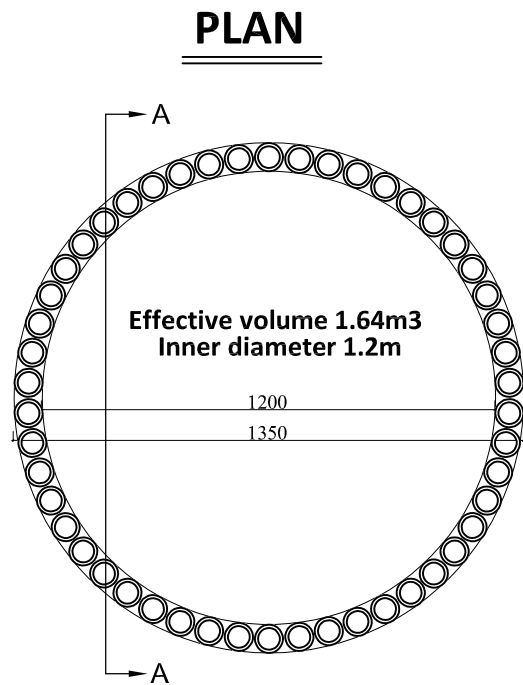
Checked by :

Drawing Code:  
11705A

Sheet No:-4

# SOAK PIT

## Bamboo lining



Government of Nepal  
Ministry of Education  
Department of Education  
Sanothimi, Bhaktapur

NATIONAL SOCIETY FOR EARTHQUAKE TECHNOLOGY-NEPAL. (NSET)  
Sainbu, Karyabinayak Municipality, Bhainsepati Residential Area, Lalitpur

UNICEF - NEPAL  
UN House, Pulchowk, Lalitpur

FINN CHURCH AID - NEPAL  
FCA Nepal Office, #539/37 Subarna Shamsheer Marg, Galichhara, Kathmandu.

JOB TITLE:  
SEMI-PERMANENT  
STEEL FRAME  
POUR FLUSH TWIN PIT LATRINE

Drawing:  
SOAK PIT  
BAMBOO LINING

Date : 06/20/2016

Scale : 1:20

Designed by : Finn Church Aid

Drawn by : Finn Church Aid

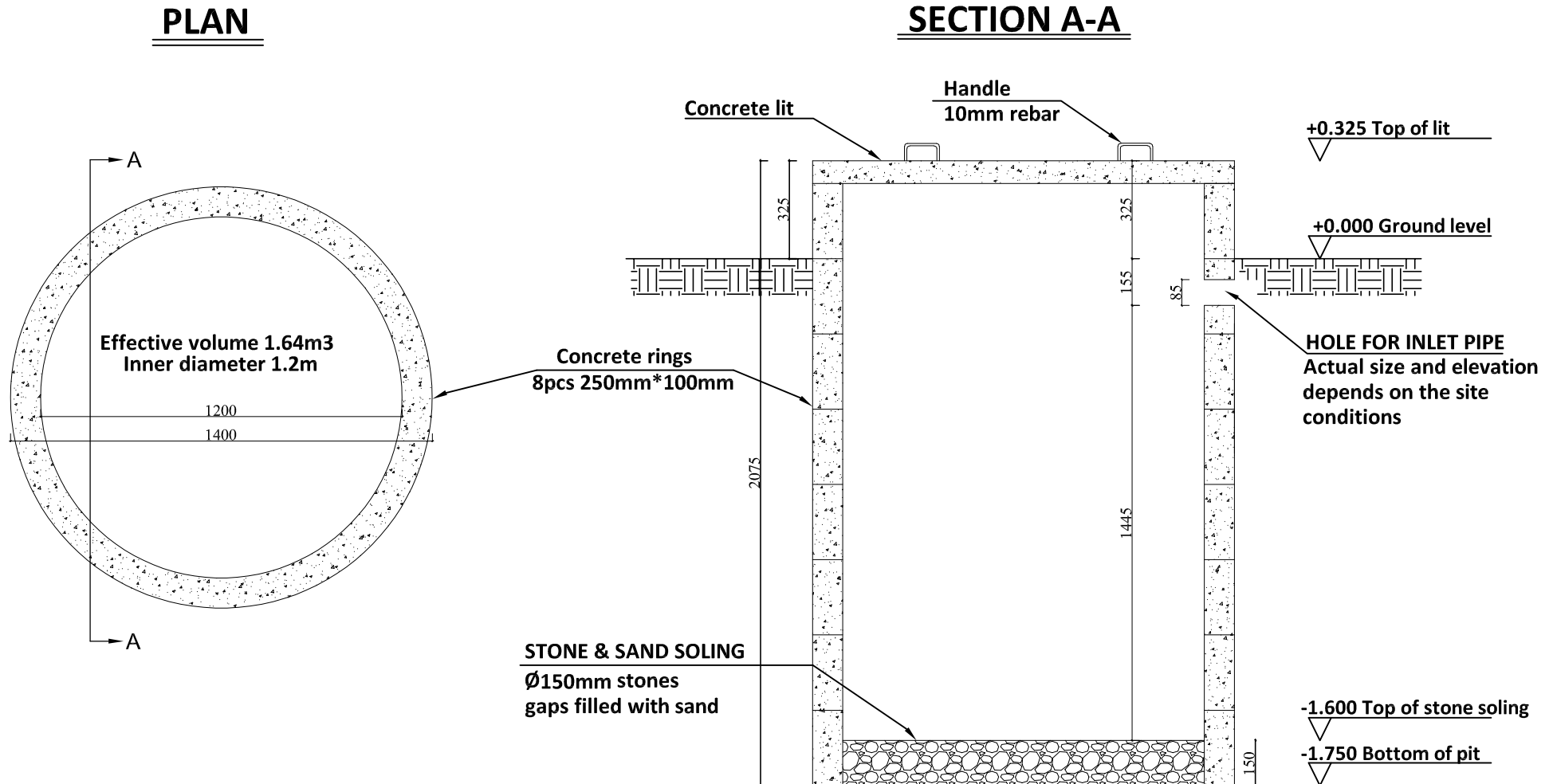
Checked by :

Drawing Code:  
11705A

Sheet No:-5

# SOAK PIT

## Concrete rings



Government of Nepal  
Ministry of Education  
Department of Education  
Sanothimi, Bhaktapur

NATIONAL SOCIETY FOR EARTHQUAKE TECHNOLOGY-NEPAL. (NSET)  
Sainbu, Karyabinayak Municipality, Bhainsepati Residential Area, Lalitpur

UNICEF - NEPAL  
UN House, Pulchowk, Lalitpur

FINN CHURCH AID - NEPAL  
FCA Nepal Office, #539/37 Subarna Shamsheer Marg, Galidhara, Kathmandu.

JOB TITLE:  
SEMI-PERMANENT  
STEEL FRAME  
POUR FLUSH TWIN PIT LATRINE

Drawing:  
SOAK PIT  
CONCRETE RINGS

Date : 06/20/2016

Scale : 1:20

Designed by : Finn Church Aid

Drawn by : Finn Church Aid

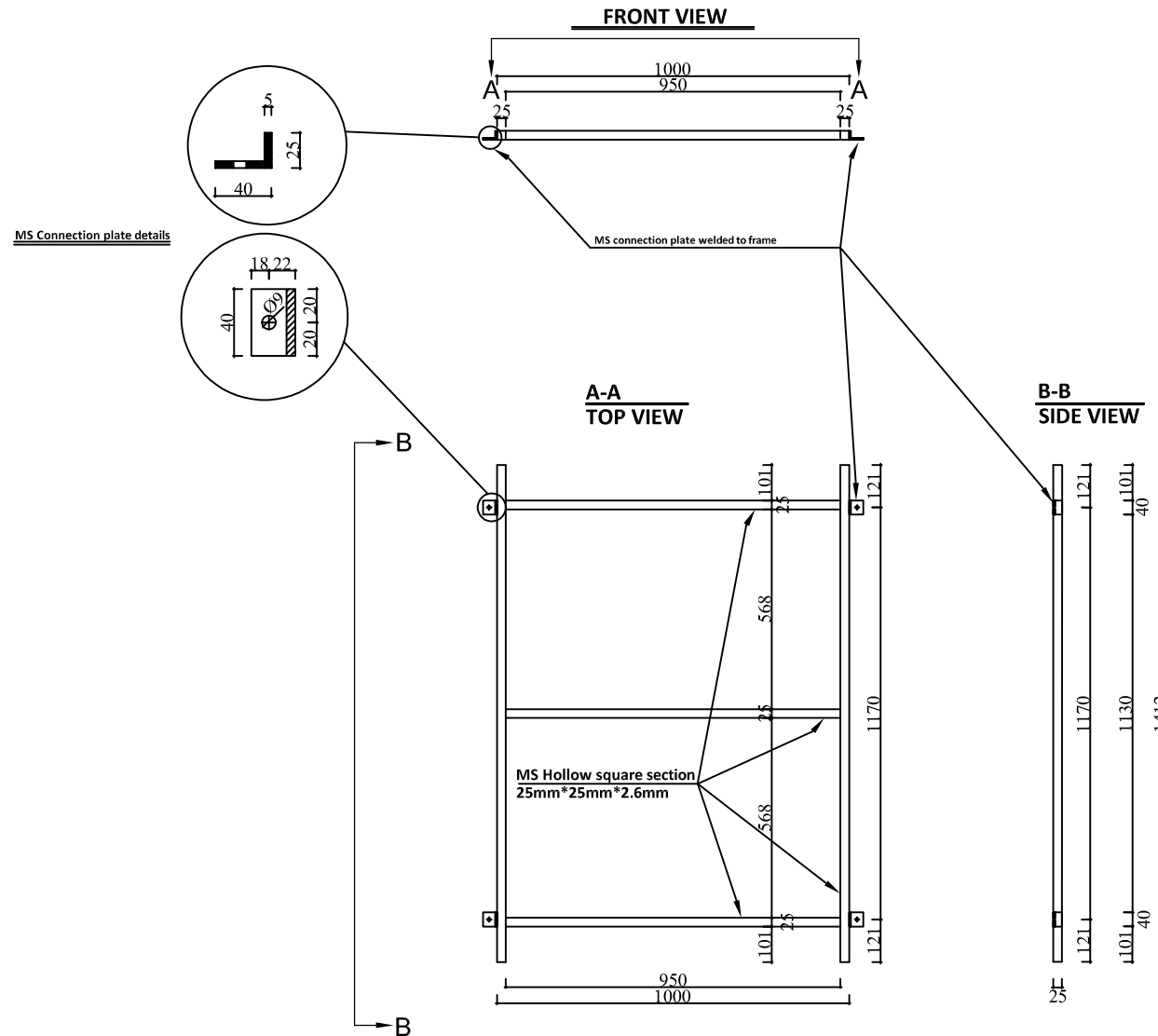
Checked by :

Drawing Code:  
11705A

Sheet No:-6



# TOP FRAME



Government of Nepal  
Ministry of Education  
Department of Education  
Sanothimi, Bhaktapur

NATIONAL SOCIETY FOR EARTHQUAKE TECHNOLOGY-NEPAL. (NSET)  
Sainbu, Karyabinayak Municipality, Bhainsepati Residential Area, Lalitpur

UNICEF - NEPAL  
UN House, Pulchowk, Lalitpur

FINN CHURCH AID - NEPAL  
FCA Nepal Office, #539/37 Subarna Shamsher Marga, Gauldihara, Kathmandu.

JOB TITLE:  
SEMI-PERMANENT  
STEEL FRAME  
POUR FLUSH TWIN PIT LATRINE

Drawing:  
FRAME DETAILS  
TOP FRAME

Date : 06/20/2016

Scale : 1:20

Designed by : Finn Church Aid

:

Drawn by : Finn Church Aid

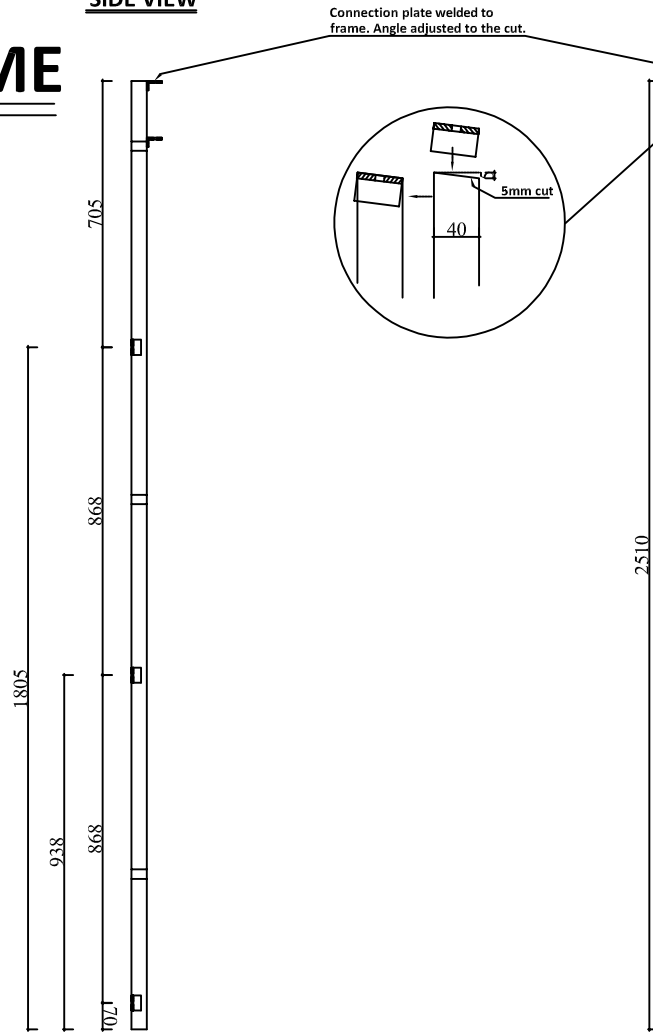
Checked by :

Drawing Code:  
11705A

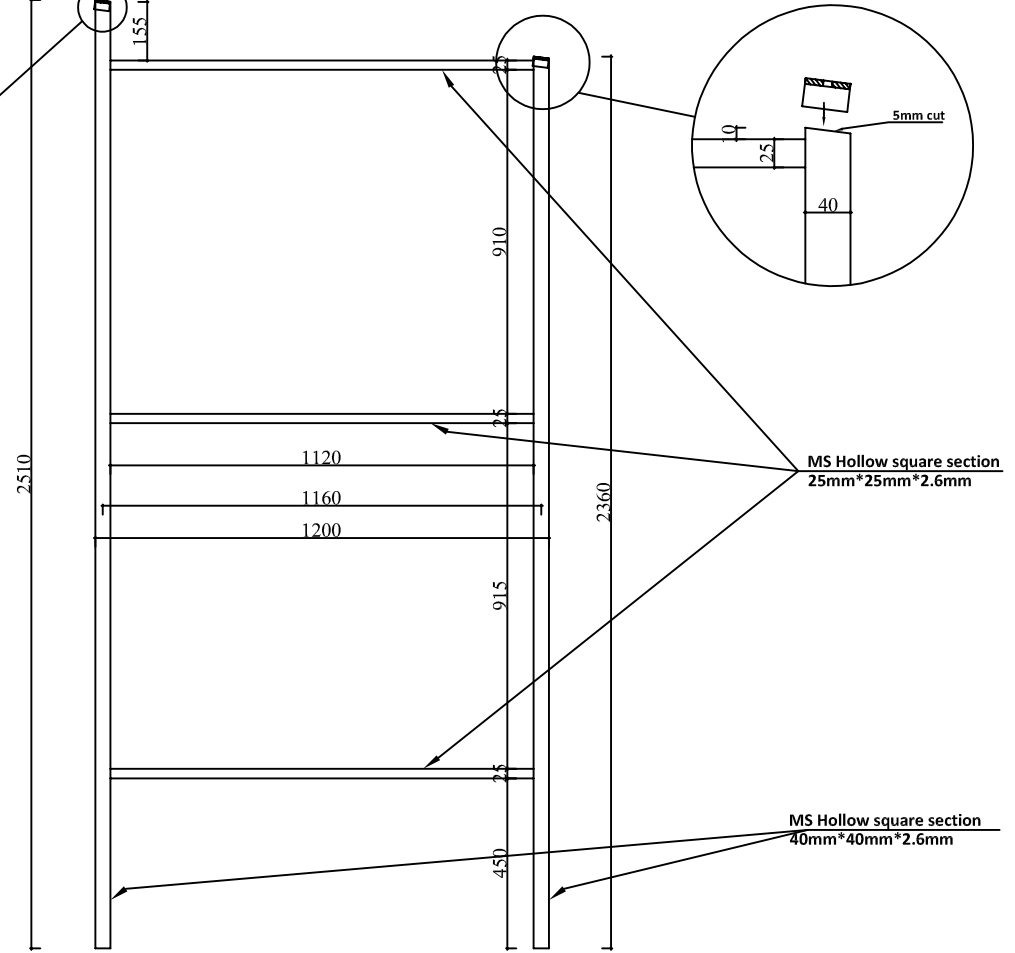
Sheet No:- 11

# RIGHT SIDE FRAME

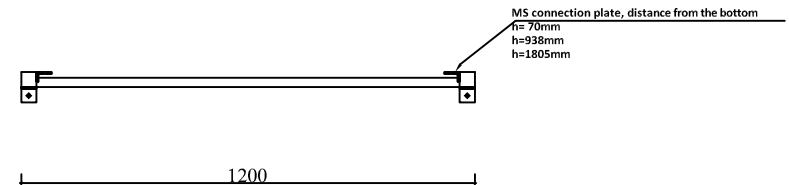
## SIDE VIEW



## FRONT VIEW



## TOP VIEW



Government of Nepal  
Ministry of Education  
Department of Education  
Sanothimi, Bhaktapur

NATIONAL SOCIETY FOR EARTHQUAKE TECHNOLOGY-NEPAL. (NSET)  
Sainbu, Karyabinayak Municipality, Bhainsepati Residential Area, Lalitpur

UNICEF - NEPAL  
UN House, Pulchowk, Lalitpur

FINN CHURCH AID - NEPAL  
FCA Nepal Office, #539/37 Subarna Shamsher Marga, Gauldihara, Kathmandu.

JOB TILE:  
SEMI-PERMANENT  
STEEL FRAME  
POUR FLUSH TWIN PIT LATRINE

Drawing:  
FRAME DETAILS  
RIGHT SIDE FRAME

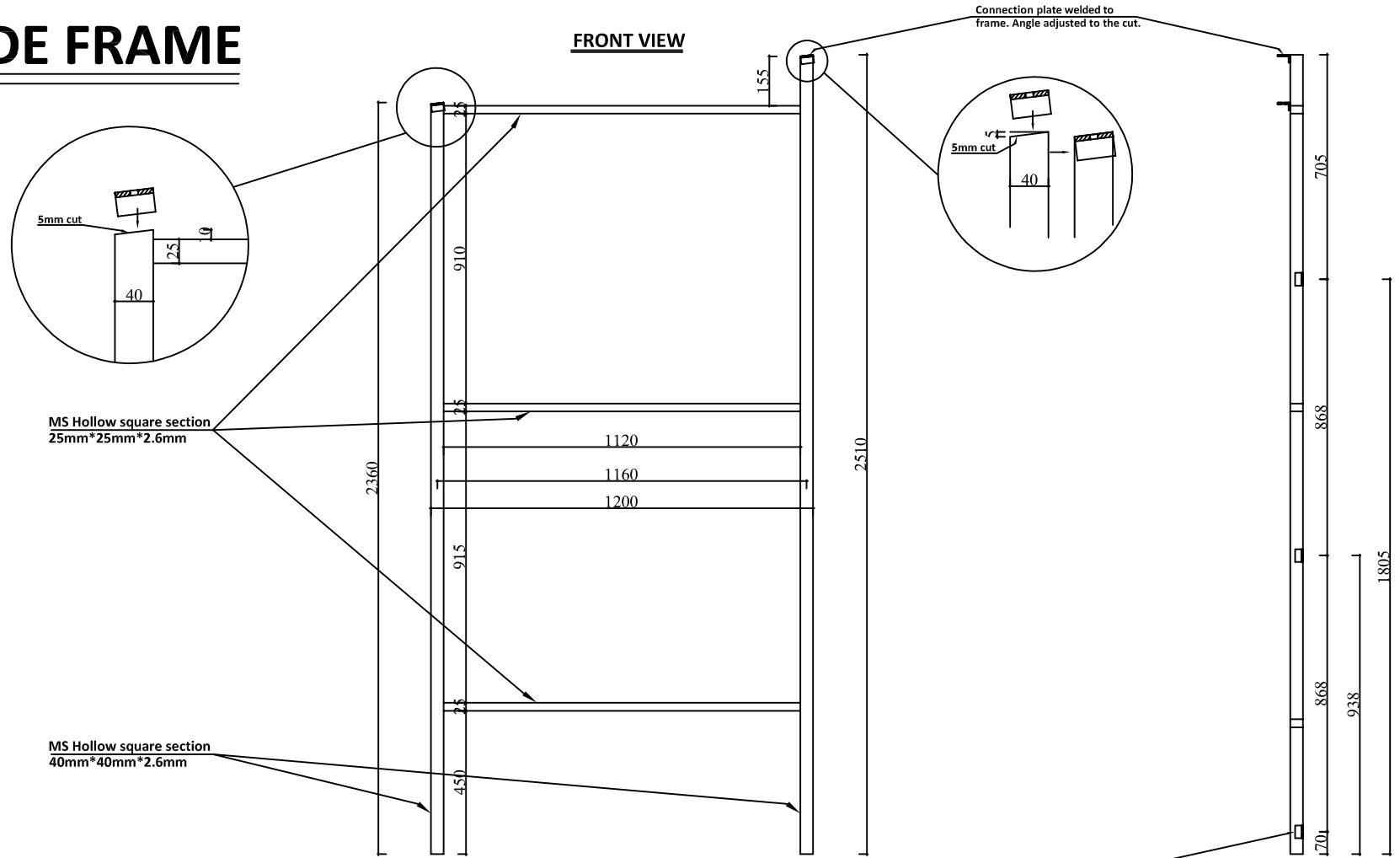
Date : 06/20/2016  
Scale : 1:20  
Designed by : Finn Church Aid  
:  
Drawn by : Finn Church Aid  
Checked by

Drawing Code:  
11705A

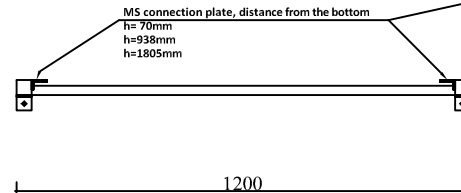
Sheet No:- 13

# LEFT SIDE FRAME

## FRONT VIEW



## TOP VIEW



Government of Nepal  
Ministry of Education  
Department of Education  
Sanothimi, Bhaktapur

NATIONAL SOCIETY FOR EARTHQUAKE TECHNOLOGY-NEPAL. (NSET)  
Sainbu, Karyabinayak Municipality, Bhainsepati Residential Area, Lalitpur

UNICEF - NEPAL  
UN House, Pulchowk, Lalitpur

FINN CHURCH AID - NEPAL  
FCA Nepal Office, #539/37 Subarna Shamsher Marga, Gauldihara, Kathmandu.

JOB TITLE:  
SEMI-PERMANENT  
STEEL FRAME  
POUR FLUSH TWIN PIT LATRINE

Drawing:  
FRAME DETAILS  
LEFT SIDE FRAME

Date : 06/20/2016

Scale : 1:20

Designed by : Finn Church Aid

Drawn by : Finn Church Aid

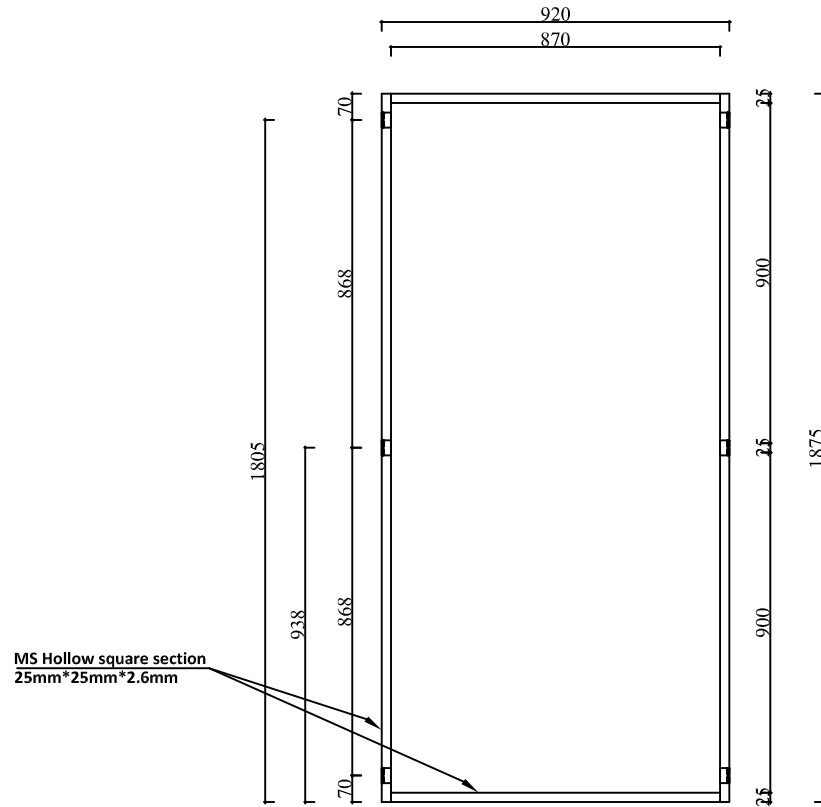
Checked by

Drawing Code:  
11705A

Sheet No:- 12

# BACK FRAME

**FRONT VIEW**  
INSIDE LATRINE TOWARDS BACK FRAME

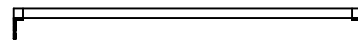


**SIDE VIEW**

From left



**TOP VIEW**



Government of Nepal  
Ministry of Education  
Department of Education  
Sanothimi, Bhaktapur

NATIONAL SOCIETY FOR EARTHQUAKE TECHNOLOGY-NEPAL. (NSET)  
Sainbu, Karyabinayak Municipality, Bhainsepati Residential Area, Lalitpur

UNICEF - NEPAL  
UN House, Pulchowk, Lalitpur

FINN CHURCH AID - NEPAL  
FCA Nepal Office, #539/37 Subarna Shamsher Marga, Gauldihara, Kathmandu.

JOB TILE:  
SEMI-PERMANENT  
STEEL FRAME  
POUR FLUSH TWIN PIT LATRINE

Drawing:  
FRAME DETAILS  
BACK FRAME

Date : 06/20/2016

Scale : 1:20

Designed by : Finn Church Aid

Drawn by : Finn Church Aid

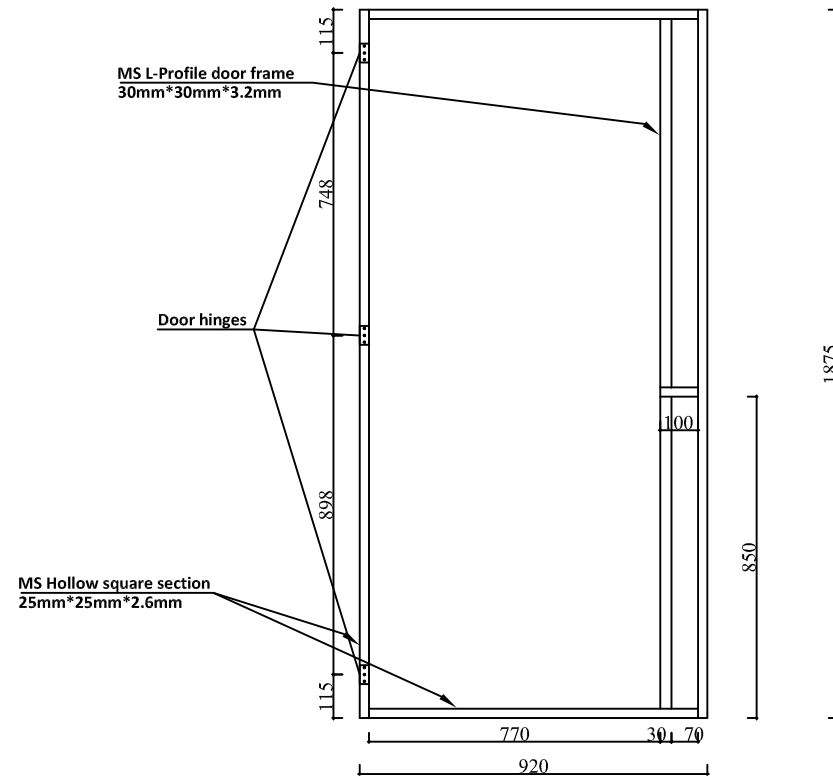
Checked by

Drawing Code:  
11705A

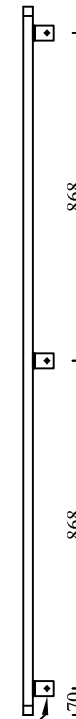
Sheet No:- 14

# FRONT FRAME

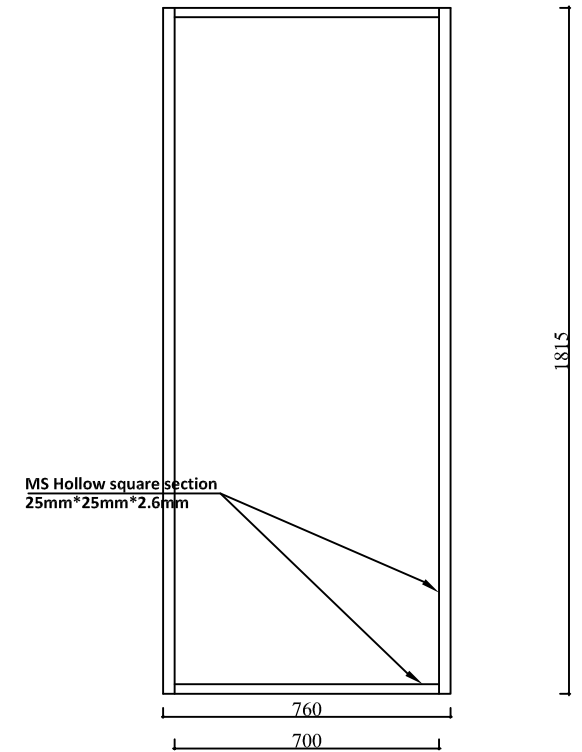
**FRONT VIEW**



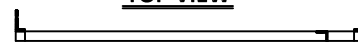
**SIDE VIEW**



**DOOR FRAME**



**TOP VIEW**



Government of Nepal  
Ministry of Education  
Department of Education  
Sanothimi, Bhaktapur

NATIONAL SOCIETY FOR EARTHQUAKE TECHNOLOGY-NEPAL. (NSET)  
Sainbu, Karyabinayak Municipality, Bhainsepati Residential Area, Lalitpur

UNICEF - NEPAL  
UN House, Pulchowk, Lalitpur

FINN CHURCH AID - NEPAL  
FCA Nepal Office, #539/37 Subarna Shamsher Marga, Gauidhara, Kathmandu.

JOB TILE:  
SEMI-PERMANENT  
STEEL FRAME  
POUR FLUSH TWIN PIT LATRINE

Drawing:  
FRAME DETAILS  
FRONT FRAME

Date : 06/20/2016

Scale : 1:20

Designed by : Finn Church Aid

:

Drawn by : Finn Church Aid

Checked by

Drawing Code:  
11705A

Sheet No:- 15